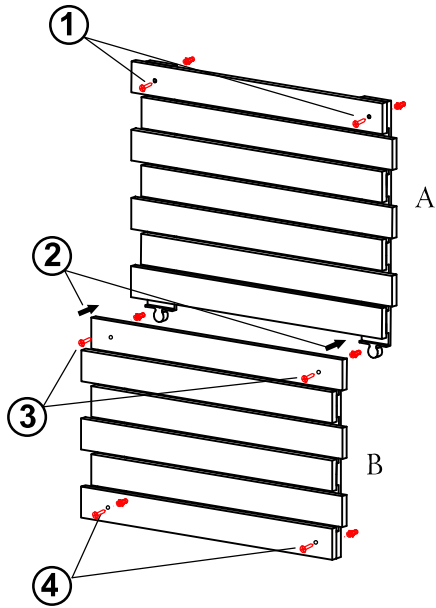
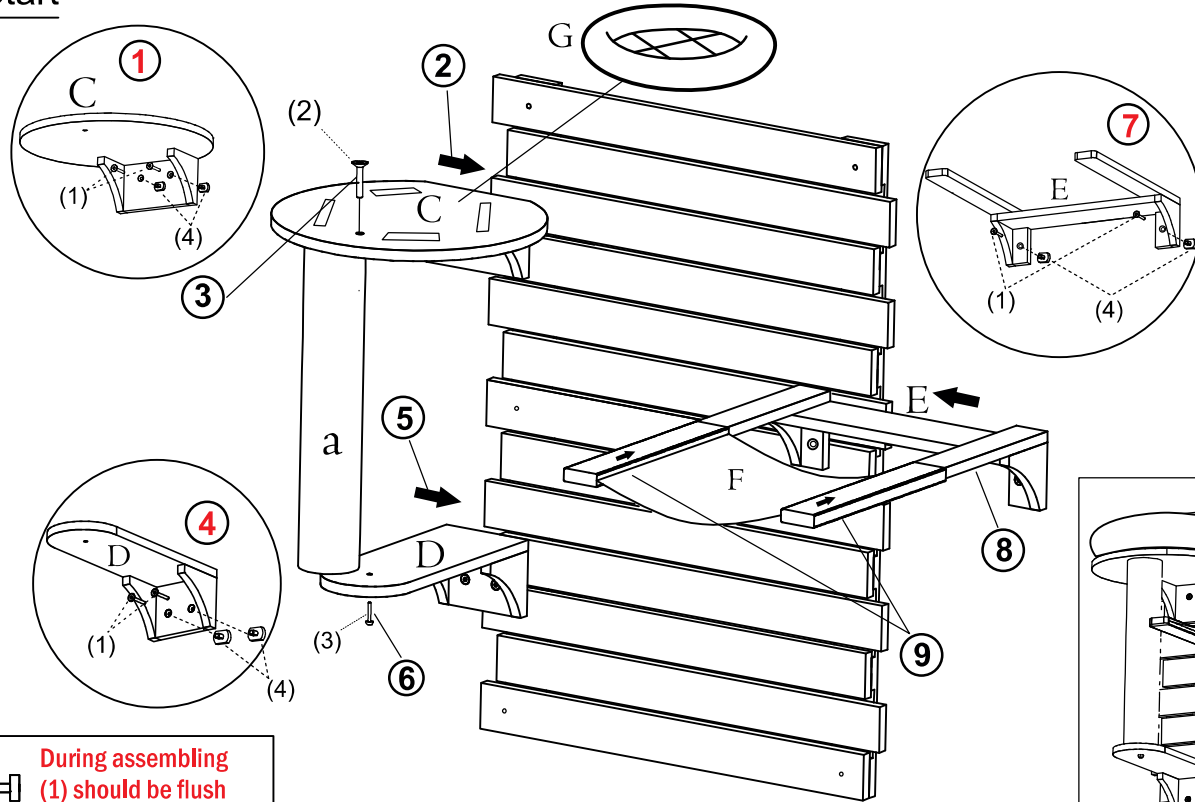


6 dowels are needed to fix the tree using detail "A, B" to the wall.
Please note that these dowels are not included and depends on type of your wall

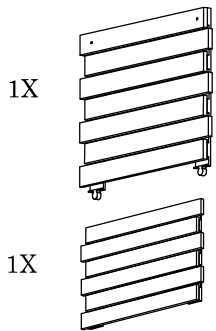
① = Start



① = Start



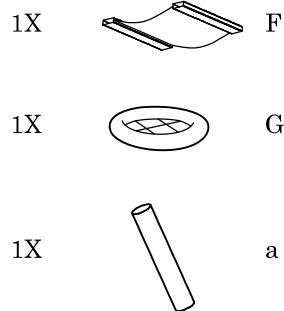
(1) During assembling (1) should be flush with (4)
It's used for C, D, E









1X A
1X B



1X C
1X D
1X E



1X F
1X G
1X a

6X  M6*45mm (1) 1X  M8 1X  M6
1X  M8*35mm (2)
1X  M8*35mm (3)
6X  (4)

LA 99396

Made in Georgia