

Drinkwell®

Quick Start Guide
Guide de démarrage rapide
Beknopte handleiding
Guía de inicio rápido
Guida rapida
Schnellstartanleitung

PWW17-16930
PWW17-16931
PWW19-16929

Butterfly Pet Fountain
Fontaine à eau papillon pour animaux de compagnie
Vlinderdrinkfontein
Fuente para mascotas Butterfly
Fontana per animali domestici Farfalla
Butterfly Trinkbrunnen



protect. teach. love:

Please read this entire guide before beginning
Veuillez lire ce manuel en entier avant de commencer
Gelieve deze gids volledig door te lezen voordat u begint
Por favor, lea detenidamente este manual antes de empezar
Si prega di leggere attentamente la guida al uso prima di utilizzare il collare
Bitte lesen Sie die gesamte Betriebsanleitung vor dem Train

Welcome

You and your pet were made for each other. Our aim is to help you have the best companionship and the most memorable moments together. Your new pet fountain is designed to entice your pet to stay hydrated and healthy.

We know that safe pets make happy owners. Before getting started, please take a moment to read through the important safety information. If you have any questions, please don't hesitate to contact us.

Hereinafter Radio Systems Corporation, Radio Systems PetSafe Europe Ltd., Radio Systems Australia Pty Ltd. and any other affiliate or Brand of Radio Systems Corporation may be referred to collectively as "We" or "Us."

IMPORTANT SAFETY INSTRUCTIONS

Explanation of Attention Words and Symbols used in this Guide



This is the safety alert symbol. It is used to alert you to potential personal injury hazards. Obey all safety messages that follow this symbol to avoid possible injury or death.

WARNING

WARNING indicates a hazardous situation which, if not avoided, could result in death or serious injury.

CAUTION

CAUTION, used without the safety alert symbol, indicates a hazardous situation which, if not avoided, could result in harm to your pet.

NOTICE

NOTICE is used to address practices not related to personal injury.

WARNING

When using electrical appliances, basic safety precautions should always be followed to reduce the risk of fire, electric shock and/or injury to persons, including the following:

- Read all instructions before using this product.
- To reduce the risk of injury, close supervision is necessary when an appliance is used by or near children.
- To protect against electric shock, do not place electrical power cord or plug in water or other liquids.
- Do not operate any appliance if it has a damaged electrical power cord or plug, or if it is malfunctioning or has been damaged. Call the Customer Care Centre immediately for further instructions.
- To reduce the risk of electric shock, do not place or store an appliance where it can fall or be pulled into a bathtub or sink.
- Always unplug any appliance when not in use, before putting on or taking off parts and before cleaning.
- Do not use an appliance for anything other than its intended use.
- If the plug of this device gets wet, turn off the electricity to that electrical outlet. Do not attempt to unplug.
- Examine this appliance after installation. Do not plug into electrical outlet if there is water on the electrical power cord or plug.

CAUTION

- Do not allow pets to chew on or swallow any parts. If you are concerned your pet may chew the power cord, purchase a cord conduit (a hard plastic protector) at any hardware store.
- The plastic fountain parts are BPA-FREE. However, some animals have been known to be sensitive to plastic food and water containers. If your animal shows signs of an allergic reaction to the plastic, please discontinue use until you have consulted with your veterinarian.

NOTICE

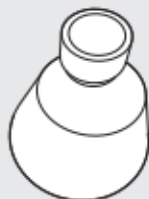
- The fountain is intended to run continuously (always plugged into an electrical outlet), as long as the water level is maintained and the fountain is cleaned regularly. Be sure to check the water level regularly to help prevent damage to the pump, as your pet will drink the water, and some may evaporate.
- Do not attempt repairs on the pump.
- Do not pull on the electrical power cord to remove the plug from the electrical outlet.
- To unplug, grasp the plug, not the electrical power cord.
- To avoid the possibility of the plug or electrical outlet getting wet, the electrical outlet should always be above the level of the fountain.
- If an extension cord is necessary, an extension cord with a proper rating should be used.
- The electrical use of this appliance is 2.5 watts.
- The use of attachments not recommended or sold by the manufacturer may cause an unsafe condition. Do not modify the appliance.
- Do not install or store appliance where it will be exposed to weather or temperatures below 4.5 °C.
- Read and observe all important notices listed on the appliance and in the packaging.
- Never wash the filter with soapy water as the soap residue will seep into the filter and cannot be removed. Only rinse the filter with water.
- Use only PetSafe® Brand authorized replacement filters. If unauthorized filters are used, the warranty may be voided.
- Do not use outdoors. Do not run dry. For indoor household use only.

SAVE THESE INSTRUCTIONS

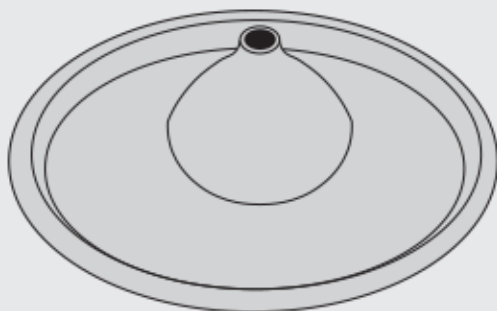
Butterfly Topper



Filter Housing Top



Upper Tray



Filter Housing Base



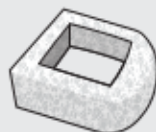
Bowl



Carbon Filter



Foam Filter



Pump



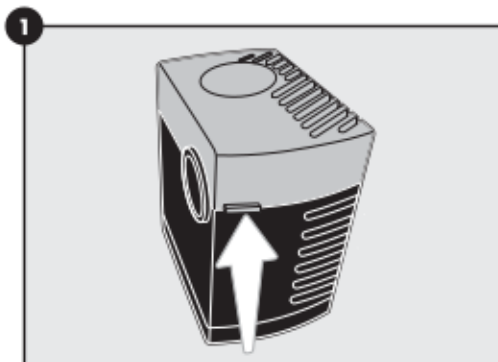
Adaptor



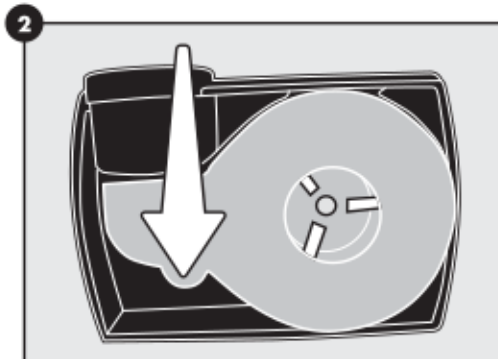
Assemble Pet Fountain

Note: Rinse all of the fountain components (except for the adaptor) with warm water before using the pet fountain. This will remove any residue from the manufacturing process.

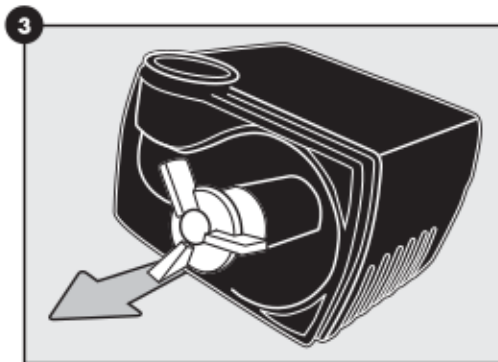
1. Take the pump apart by first removing the blue faceplate. Use your finger to pull up on the small tab.



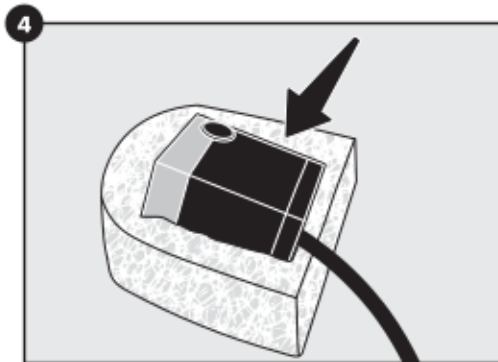
2. Remove the teardrop shaped stator by pulling up on the small lip.



3. Use a fingernail to pull out the impeller, which is held in place magnetically. Clean the pump parts with warm water and soap. Reassemble the pump by first inserting the impeller. Then, replace the stator and faceplate.

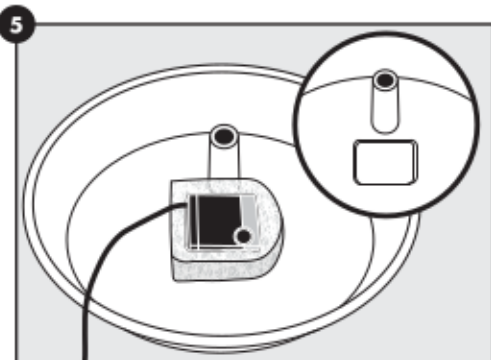


4. Place the pump into the foam filter with the cord running above it.

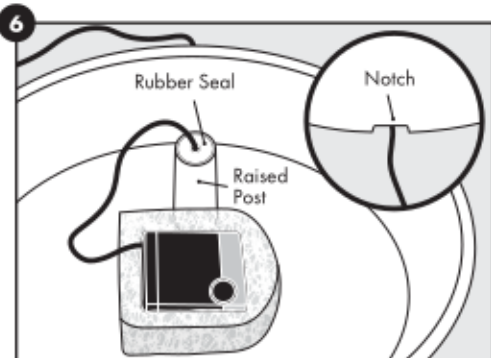


5. Place the pump and foam filter into the bottom of the bowl inside the square indentation as shown.

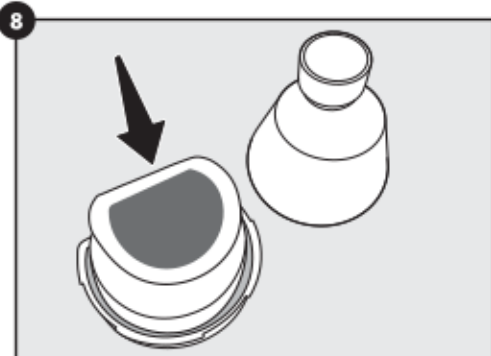
Note: Wetting the suction cups will ease the assembly.



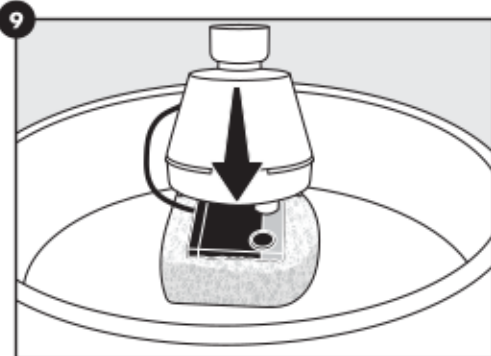
6. Once the pump and foam filter are securely in place, feed the cord through the raised post and out the notch on the base of the bowl.
7. Remove the extra slack from the cord and push the rubber seal firmly into the raised post. (Refer to image #6)



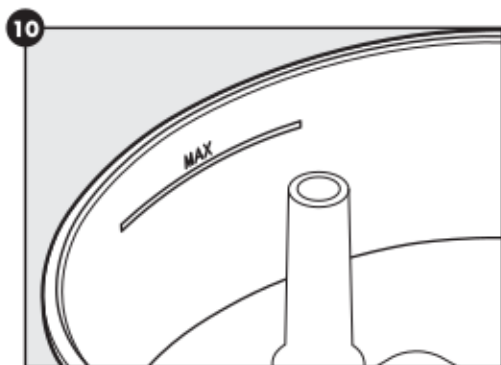
8. Rinse the carbon filter thoroughly under cold water to remove any loose carbon dust. Open the filter housing and rinse both parts under water. Insert the filter into the filter housing base with the larger side facing down. Attach the filter housing top and press down until it snaps in place.



9. Insert the filter housing into the hole on top of the pump.

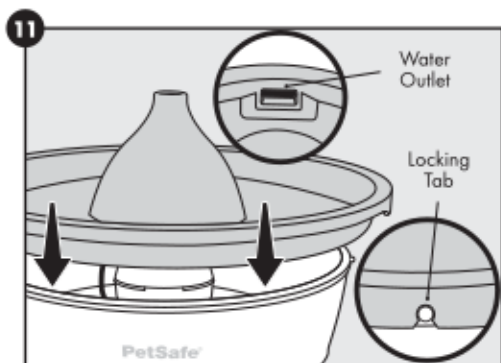


10. Pour water into the bowl until it reaches the MAX (maximum) fill line.



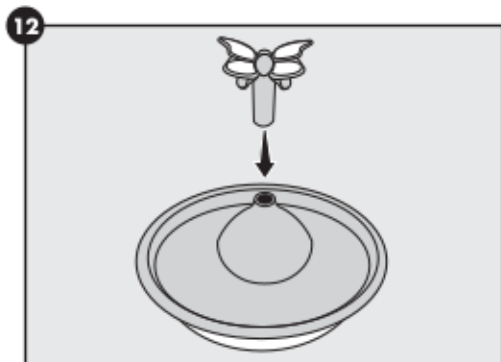
11. Attach the upper tray to the bowl by aligning it over the filter housing. Press down on both sides to secure the locking tabs.

Note: The water outlet on the tray will face the back of the bowl. The PetSafe® logo indicates the front of the bowl.

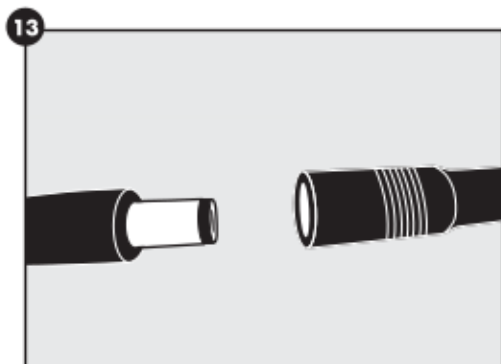


12. Insert the butterfly topper into the hole on the top of the tower. This will provide your pet with four water streams to drink from. The butterfly's head should face the back of the bowl.

Note: The butterfly topper is optional. The fountain will provide a gentle bubbling flow without it.



13. Pick up the pet fountain by the bowl and place it in the desired location. Make sure the electrical power cord, the adaptor and your hands are completely dry. Connect the inline plug and make sure that no silver is showing. Plug the adaptor into a standard electrical wall outlet.



EN **Pet Fountain Cleaning**

NOTE: Replace the carbon filter every 2-4 weeks and replace the foam filter every 1-2 months.

1. Unplug the fountain and disconnect the in-line plug.
2. Pick up the pet fountain by the bowl and take it to the sink.
3. Pour out the water, and then disassemble the pet fountain.
4. Discard the carbon filter and the foam filter. See steps 1-3 on page 5 for cleaning your pump. Use a solution of 80% water and 20% white vinegar to remove hard water buildup.
5. Wash all other parts with warm water and soap or place in the top rack of the dishwasher.

NOTE: Do not place the adaptor or pump in the dishwasher.

Replacement Parts and Accessories

Replacement parts, filters and cleaning kits for your pet fountain can be purchased by visiting www.petsafe.com or by contacting our Customer Care Centre. For a listing of Customer Care Centre telephone numbers, visit our website at www.petsafe.com.

Compliance

CE – Europe

Radio Systems Corporation declares under its own responsibility, that the following product(s) is (are) in compliance with the essential requirements under the EMC Directive 2014/30/EU, and the RoHS 2 Directive (EU) 2015/863. Unauthorised changes or modifications to the equipment that are not approved by Radio Systems Corporation may violate EU EMC regulations, could void the user's authority to operate the equipment, and will void the warranty. Hereby, Radio Systems Corporation, declares that this part is in compliance with the essential requirements and other relevant provisions. The Declaration of Conformity can be found at: www.petsafe.com/customer-care/eu_docs.php.

IC – Canada

This device complies with Industry Canada license-exempt RSS standard(s). Operation is subject to the following two conditions: (1) this device may not cause interference, and (2) this device must accept any interference, including interference that may cause undesired operation of the device.

ACMA – Australia

This device complies with the applicable EMC requirements specified by the ACMA (Australian Communications and Media Authority).



Important Recycling Advice

Please respect the Waste Electrical and Electronic Equipment regulations in your country. This equipment must be recycled. At the end of the product life, do not place it in the normal municipal waste system. Please check the regulations in your area or return it to where it was purchased so that it can be placed in our recycling system. If these options are not possible, please contact the Customer Care Centre for further information.

Terms of Use and Limitation of Liability

1. Terms of Use

The use of this product is subject to your acceptance without modification of the terms, conditions and notices contained with this product. Use of this product implies acceptance of all such terms, conditions, and notices. If you do not wish to accept these terms, conditions, and notices, please return the product, unused, in its original packaging and at your own cost and risk to the relevant Customer Care location together with proof of purchase for a full refund.

2. Proper Use

Proper Use includes, without limitation, reviewing the entire Product Manual and any specific safety information statements. The specific temperament or size/weight of your pet may not be suitable for this product. If you are unsure whether this product is appropriate for your pet, please consult your veterinarian or certified trainer prior to use. For products used with pets where training is desired, Radio Systems Corporation recommends that these training products are not used if your pet is aggressive and accepts no liability for determining suitability in individual cases.

3. No Unlawful or Prohibited Use

This product is designed for use with pets only. This product is not intended to harm, injure or provoke. Using this product in a way that is not intended could result in violation of Federal, State or local laws.

4. Limitation of Liability

In no event shall Radio Systems Corporation or any of its associated companies be liable for (i) any direct, indirect, punitive, incidental, special or consequential damage and/or (ii) any loss or damages whatsoever arising out of or connected with the use or misuse of this product. The Purchaser assumes all risks and liability from the use of this product to the fullest extent permissible by law.

5. Modification of Terms and Conditions

Radio Systems Corporation reserves the right to change the terms, conditions and notices governing this product from time to time. If such changes have been notified to you prior to your use of this product, they shall be binding on you as if incorporated herein.

Warranty

Two Year Non-Transferable Limited Warranty

This Product has the benefit of a limited manufacturer's warranty. Complete details of the warranty applicable to this Product and its terms can be found at www.petsafe.com and/or are available by contacting your local Customer Care Centre.

Europe

Radio Systems PetSafe Europe Ltd.
2nd Floor, Elgee Building, Market Square
Dundalk, Co. Louth, A91 YR9X Ireland

Canada

Radio Systems Corporation
10427 PetSafe Way
Knoxville, TN 37932 USA

Australia/New Zealand – In compliance with the Australian Consumer Law, Warranties Against Defects, effective January 1, 2012, warranty details of this Product are as follows: Radio Systems Australia Pty Ltd. (hereinafter referred to as "Radio Systems") warrants to the original retail purchaser, and not any other purchaser or subsequent owner, that its Product, when subject to normal and proper residential use, will be free from defects in material or workmanship for a period of three (3) years from the purchase date. An "original retail consumer purchaser" is a person or entity who originally purchases the Product, or a gift recipient of a new Product that is unopened and in its original packaging. When serviced by Radio Systems Customer Service, Radio Systems covers labour and parts for the first three years of ownership; after the first three years, a service or upgrade charge will apply relative to replacement of the Product with new or refurbished items at Radio Systems' sole discretion.

The limited warranty is non-transferable and shall automatically terminate if the original retail consumer purchaser resells the Radio Systems Product or transfers the property on which the Radio Systems Product is installed. This limited Warranty excludes accidental damage due to dog chews; lightning damage; or neglect, alteration, and misuse. Consumers who purchase products outside of Australia, New Zealand, or from an unauthorised dealer will need to return the Product to the original place of purchase for any warranty issues.

Please note that Radio Systems does not provide refunds, replacements, or upgrades for change of mind, or for any other reason outside of these Warranty terms.

Claims Procedure: Any claim made under this Warranty should be made directly to Radio Systems Australia Pty Ltd. Customer Care Centre at:

Radio Systems Australia Pty Ltd.
PO Box 3442
Australia Fair QLD 4215, Australia

Australia Residents: 1800 786 608
New Zealand Residents: 0800 543 054
Email: aus-info@petsafe.net

To file a claim, a proof of purchase must be provided. Without a proof of purchase, Radio Systems will not repair or replace faulty components. Radio Systems requests the Consumer to contact the Radio Systems Customer Care Centre to obtain a Warranty Return number, prior to sending the Product. Failure to do so may delay in the repair or replacement of the Product.

If the Product is deemed to be faulty within 30 days from date of original purchase, Radio Systems will organise for a replacement to be sent in advance of returning the faulty Product. A Post Bag will be included with the replacement Product for the return of the faulty Product. The Product must be returned within 7 days of receiving the replacement. If the Product is deemed to be faulty after 30 days from the date of original purchase, the consumer will be required to return the Product to Radio Systems at the consumer's own expense. Radio Systems will test and replace the faulty device or its components and return to the consumer free of charge, provided the Product is within its said warranty period. This warranty is in addition to other rights and remedies available to you under the law. Radio Systems goods come with guarantees that cannot be excluded under the Australia Consumer Law. You are entitled to a replacement or refund for a major failure and for compensation for any other reasonably foreseeable loss or damage. You are also entitled to have the goods repaired or replaced if the goods fail to be of acceptable quality and the failure does not amount to a major failure.

Should you have any queries or require any further information, please contact our Customer Care Centre on 1800 786 608 (Australia) or 0800 543 054 (New Zealand).

Bienvenue

Vous et votre animal êtes faits l'un pour l'autre. Notre objectif est de vous aider à être les meilleurs compagnons possibles et à passer ensemble les moments les plus mémorables. Votre nouvelle fontaine pour animaux est conçue pour inciter votre animal à boire afin qu'il reste hydraté et en bonne santé.

Nous savons que la sécurité d'un animal est importante pour son propriétaire. Avant de commencer, merci de prendre le temps de lire les consignes de sécurité importantes. N'hésitez pas à nous contacter si vous avez des questions.

Ci-après, « Nous » peut renvoyer collectivement à Radio Systems Corporation, Radio Systems PetSafe Europe Ltd., Radio Systems Australia Pty Ltd. ainsi qu'à toute autre filiale ou marque de Radio Systems Corporation.

CONSIGNES DE SÉCURITÉ IMPORTANTES

Description des termes et symboles utilisés dans ce guide



Ce symbole est une alerte de sécurité. Il est utilisé pour vous alerter des risques de blessures. Veuillez respecter tous les messages de sécurité suivant ce symbole pour éviter tout risque de blessure ou décès.

⚠ AVERTISSEMENT

AVERTISSEMENT indique une situation dangereuse qui, si elle n'est pas évitée, risque d'entraîner la mort ou des blessures graves.

ATTENTION

ATTENTION, utilisé sans le symbole d'alerte de sécurité, indique une situation dangereuse qui, si elle n'est pas évitée, risque de causer des blessures à votre animal.

AVIS

AVIS indique les pratiques qui ne risquent pas d'entraîner des blessures corporelles.

⚠ AVERTISSEMENT

Appliquez toujours les règles élémentaires de sécurité suivantes lorsque vous utilisez des appareils électriques afin de réduire le risque d'incendie, de choc électrique et/ou de blessure :

- Lisez toutes les instructions avant d'utiliser ce produit.
- Pour réduire le risque de blessures, une surveillance attentive est nécessaire lorsque l'appareil est utilisé par ou à proximité d'enfants.
- Ne mettez pas le cordon d'alimentation électrique ou la prise dans l'eau ou d'autres liquides afin d'éviter tout choc électrique.
- N'utilisez pas d'appareil dont le cordon d'alimentation ou la prise est endommagé(e), ni d'appareil abîmé ou présentant un dysfonctionnement. Contactez immédiatement le service clientèle pour obtenir des instructions détaillées.
- Pour réduire le risque de choc électrique, ne placez pas et ne stockez pas l'appareil à un endroit où il pourrait tomber ou bien basculer dans une baignoire ou un évier.
- Débranchez toujours tout appareil non utilisé avant d'installer ou de retirer des pièces et avant de le nettoyer.
- N'utilisez jamais un appareil à d'autres fins que celles prévues.
- Si la prise de ce dispositif est mouillée, coupez l'alimentation du secteur. Ne tentez pas de débrancher l'appareil lui-même.
- Vérifiez cet appareil après installation. Ne le branchez pas au secteur s'il y a de l'eau sur le cordon électrique ou sur la prise.

ATTENTION

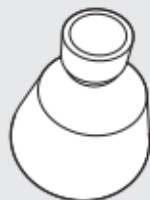
- Ne laissez pas les animaux de compagnie mordre ni avaler les pièces de l'appareil. Si vous craignez que votre animal mâchouille le cordon d'alimentation, achetez une gaine pour cordon (protection en plastique dur) dans un magasin de bricolage.
- La fontaine en plastique est SANS BPA. Cependant, certains animaux sont sensibles aux récipients pour nourriture et boisson en plastique. Si votre animal montre des signes de réaction allergique au plastique, veuillez interrompre l'utilisation de l'appareil jusqu'à ce que vous ayez consulté votre vétérinaire.

AVIS

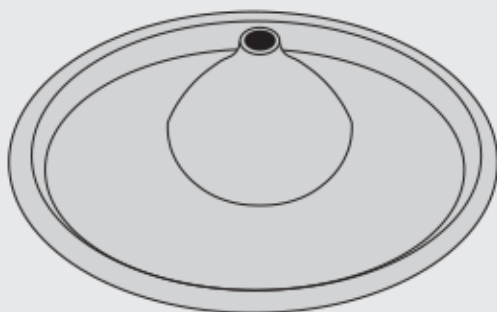
- La fontaine pour animaux de compagnie est conçue pour fonctionner sans interruption (toujours branchée sur une prise du secteur), aussi longtemps que le niveau d'eau est maintenu et que la fontaine pour animaux de compagnie est nettoyée régulièrement. Assurez-vous de contrôler régulièrement le niveau d'eau pour éviter que la pompe ne soit endommagée, car votre animal va consommer l'eau et une partie s'évaporer également.
- Ne tentez pas de réparer la pompe vous-même.
- Ne tirez jamais sur le cordon d'alimentation électrique pour retirer la prise mâle de la prise femelle.
- Pour le débrancher, saisissez la prise et non le cordon d'alimentation électrique.
- Afin d'éviter de mouiller le cordon d'alimentation ou la prise électrique, la prise du secteur doit toujours être placée au-dessus de la fontaine.
- Si vous avez besoin d'une rallonge électrique, veuillez à utiliser une rallonge de puissance électrique appropriée.
- La consommation électrique de cet appareil est de 2,5 watts.
- L'utilisation d'accessoires non recommandés ou non vendus par le fabricant peut provoquer des situations dangereuses. Ne modifiez pas l'appareil.
- N'installez et ne stockez pas l'appareil à des endroits exposés aux intempéries ni à des températures inférieures à 4,5 °C.
- Lisez et respectez tous les avis importants figurant sur l'appareil et dans son emballage.
- Ne lavez jamais le filtre avec de l'eau savonneuse, car des résidus de savon s'insinueraient dans le filtre et vous ne pourriez pas les retirer. Rincez le filtre à l'eau uniquement.
- Utilisez uniquement les filtres de rechange autorisés de la marque Petsafe®. L'utilisation de filtres non autorisés peut annuler la garantie.
- N'utilisez pas l'appareil à l'extérieur. Ne pas faire fonctionner à sec. Réservé à un usage à l'intérieur uniquement.

CONSERVEZ CES INSTRUCTIONS

Papillon

Haut du
compartment du filtre

Support supérieur

Base de
compartment du filtre

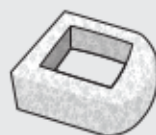
Filtre à charbon



Bol



Filtre en mousse



Pompe



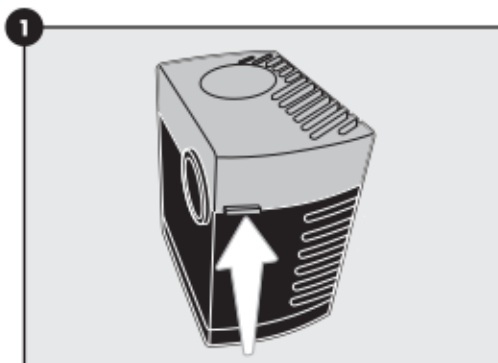
Adaptateur



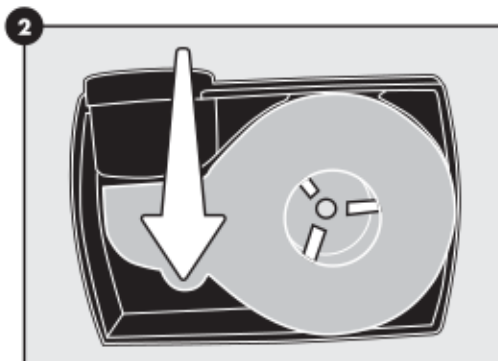
Assemblage de la fontaine pour animaux de compagnie

Remarque : rincez tous les composants de la fontaine (sauf l'adaptateur) avec de l'eau chaude avant utilisation de la fontaine. Cela vous permettra d'éliminer tout résidu de fabrication.

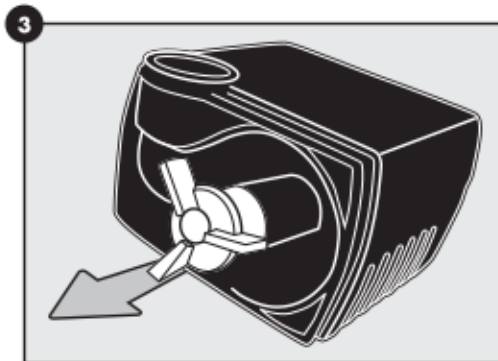
1. Démontez la pompe en retirant d'abord la plaque frontale bleue. Tirez la petite languette vers le haut.



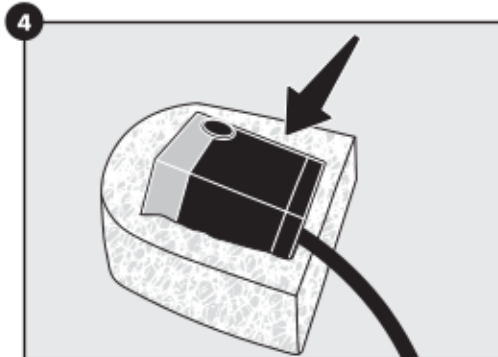
2. Retirez le stator en forme de goutte, en tirant sur la petite languette.



3. Avec un angle, retirez la turbine, qui est maintenue en place magnétiquement. Nettoyez les pièces de la pompe avec de l'eau chaude et du savon. Remontez la pompe en commençant par insérer la turbine. Remplacez ensuite le stator et la plaque frontale.

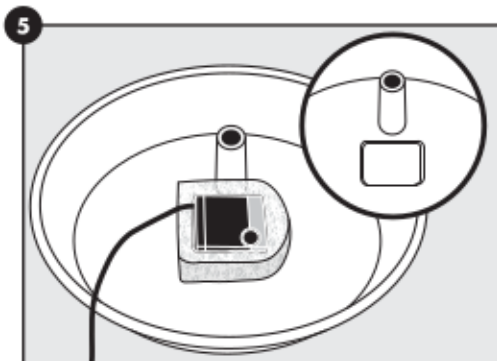


4. Placez la pompe dans le filtre en mousse avec le cordon passant au-dessus.



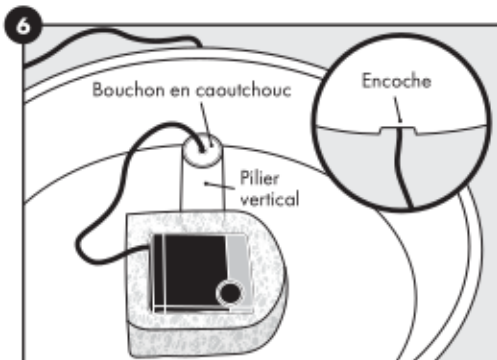
5. Placez la pompe et le filtre en mousse dans le fond du bol à l'intérieur de l'encoche carrée, comme illustré. Appuyez pour actionner les ventouses.

Remarque : humidifier les ventouses facilite l'assemblage.

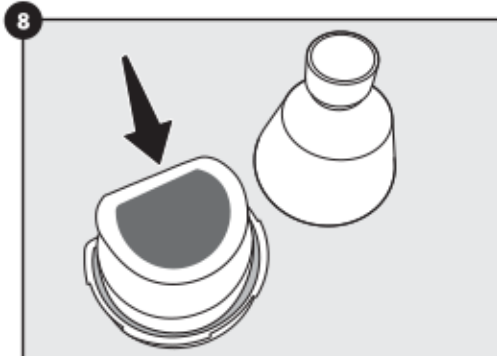


6. Une fois la pompe et le filtre en mousse bien en place, passez le cordon d'alimentation à travers le pilier vertical, puis ressortez-le par l'encoche située au fond du bol.

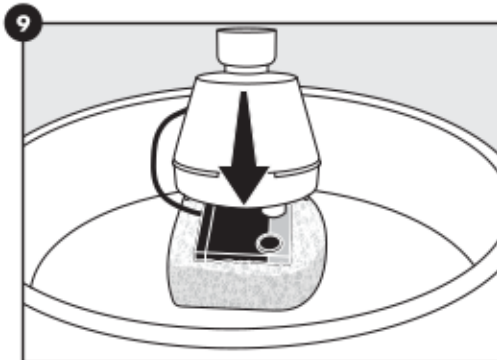
7. Tendez bien le cordon d'alimentation sans laisser de mou et poussez fermement le bouchon en caoutchouc dans le pilier vertical. [Consultez l'image 6]



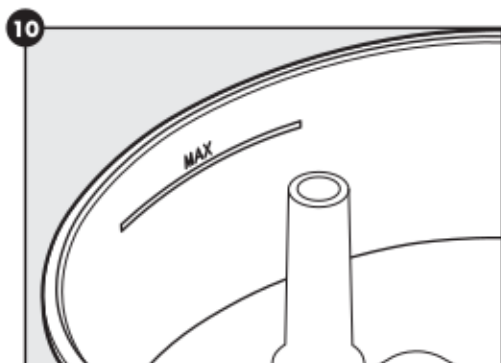
8. Rincez soigneusement le filtre à charbon à l'eau froide pour éliminer toute poussière de charbon. Ouvrez le compartiment du filtre et passez les deux parties sous l'eau. Insérez le filtre dans le compartiment du filtre, en orientant le grand côté vers le bas. Fixez le haut compartiment du filtre et appuyez jusqu'à ce qu'il s'enclenche.



9. Insérez le compartiment du filtre dans le trou en haut de la pompe.

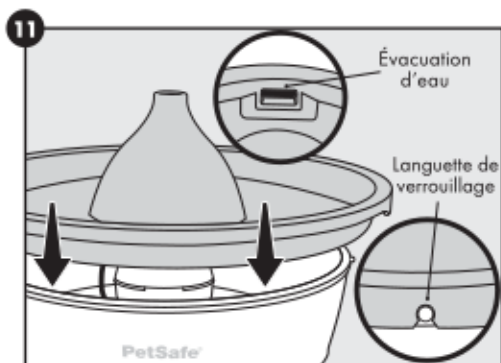


10. Versez de l'eau dans le bol jusqu'à la ligne de remplissage MAX (maximum).



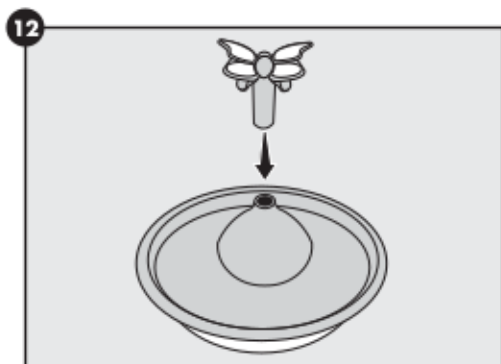
11. Fixez le support supérieur au bol en l'alignant avec le compartiment du filtre. Appuyez sur les deux côtés pour sécuriser les languettes de verrouillage.

Remarque : l'évacuation d'eau du support doit se trouver face à l'arrière du bol. Le logo PetSafe® figure sur le devant du bol.

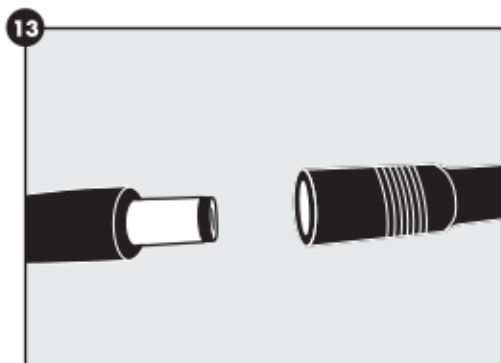


12. Insérez le papillon dans le trou en haut de la tour. Il permet à votre animal de compagnie d'avoir accès à quatre écoulements d'eau. La tête du papillon doit se trouver face à l'arrière du bol.

Remarque : l'installation du papillon n'est pas obligatoire. Sans l'ajouter, la fontaine fournit un flux silencieux et effervescent.



13. Prenez la fontaine pour animaux de compagnie par le bol et placez-la à l'endroit voulu. Assurez-vous que le câble d'alimentation, l'adaptateur et vos mains sont parfaitement secs. Connectez la fiche d'alimentation et assurez-vous qu'aucune partie argentée n'est visible. Branchez l'adaptateur dans une prise électrique murale ordinaire.



Nettoyage de la fontaine pour animaux de compagnie

REMARQUE : Remplacez le filtre à charbon toutes les 2 à 4 semaines et remplacez le filtre en mousse tous les 1 à 2 mois.

1. Débranchez la fontaine et déconnectez la fiche en ligne.
2. Prenez la fontaine pour animaux de compagnie par le bol et amenez-la dans l'évier.
3. Videz l'eau, puis démontez la fontaine pour animaux de compagnie.
4. Jetez le filtre à charbon et le filtre en mousse. Reportez-vous aux étapes 1 à 3 de la page 15 pour le nettoyage de votre pompe. Utilisez une solution composée à 80 % d'eau et à 20 % de vinaigre blanc pour éliminer les dépôts formés par l'eau dure.
5. Lavez toutes les autres pièces à l'eau chaude et au savon ou placez-les sur la grille supérieure du lave-vaisselle.

REMARQUE : Ne placez pas l'adaptateur ni la pompe dans le lave-vaisselle.

Pièces de rechange et accessoires

Vous pouvez acheter des pièces de rechange, des filtres et des kits de nettoyage pour votre fontaine pour animaux de compagnie sur le site www.petsafe.com ou en contactant notre service clientèle. Pour obtenir la liste des numéros de téléphone du service clientèle, consultez notre site Web à l'adresse www.petsafe.com.

Conditions d'utilisation et limitation de responsabilité

1. Conditions d'utilisation

L'utilisation de ce produit est sujette à votre acceptation sans modification de l'intégralité des conditions générales et consignes d'utilisation fournies avec ce produit. L'utilisation de ce produit revient à en accepter les termes, conditions et consignes d'utilisation. Si vous n'acceptez pas ces conditions générales et consignes d'utilisation, veuillez renvoyer ce produit inutilisé dans son emballage d'origine à vos frais et risques, au service clientèle approprié avec la preuve d'achat, afin d'obtenir un remboursement complet.

2. Utilisation appropriée

Une utilisation appropriée implique, sans s'y limiter, la consultation de l'intégralité du manuel d'utilisation du produit et de toutes les informations spécifiques relatives à la sécurité. Le caractère ou la taille/le poids spécifiques de votre animal ne sont peut-être pas adaptés à ce produit. Si vous n'êtes pas sûr(e) que ce produit est adapté à votre animal de compagnie, veuillez consulter votre vétérinaire ou un éducateur canin certifié avant emploi. Pour les produits utilisés sur des animaux nécessitant un dressage, Radio Systems Corporation recommande de ne pas les utiliser si votre animal est agressif et ne saurait être tenu pour responsable de leur éventuelle inadéquation selon les cas.

3. Usage illégal ou interdit

Ce produit a été conçu pour les chiens uniquement. Ce produit n'est pas destiné à blesser ni à provoquer les animaux. L'usage de ce produit dans un but autre que celui prévu pourrait entraîner des infractions à la législation nationale.

4. Limitation de responsabilité

Radio Systems Corporation et ses sociétés affiliées ne peuvent en aucun cas être tenus pour responsables (i) des dommages directs, indirects, punitifs, accidentels, spéciaux ou secondaires, ni (ii) des pertes ou dommages consécutifs ou associés à l'utilisation ou à l'utilisation inappropriée de ce produit. L'acheteur assume tous les risques et responsabilités en rapport avec l'utilisation de ce produit, dans la pleine mesure prévue par la loi.

5. Modification des conditions générales

Radio Systems Corporation se réserve le droit de modifier ponctuellement les termes, les conditions et les consignes applicables à ce produit. Si de telles modifications vous ont été communiquées avant que vous n'utilisiez ce produit, elles seront considérées comme juridiquement contraignantes et faisant partie du présent document.

Conformité

CE – Europe

Radio Systems Corporation déclare, sous sa propre responsabilité, que le ou les produits suivants sont conformes aux exigences essentielles stipulées par la Directive CEM 2014/30/UE et la Directive RoHS 2 (UE) 2015/863. Toute modification du dispositif non autorisée par Radio Systems Corporation est susceptible de constituer une infraction aux directives CEM européennes et d'invalider la capacité de l'acheteur à utiliser le dispositif ainsi que la garantie. Par la présente, Radio Systems Corporation déclare que ce produit est conforme aux exigences fondamentales et autres provisions applicables. La déclaration de conformité est disponible à l'adresse www.petsafe.com/customer-care/eu_docs.php.

IC – Canada

Le présent appareil est conforme aux CNR d'Industrie Canada applicables aux appareils radio exempts de licence. L'exploitation est autorisée aux deux conditions suivantes : [1] l'appareil ne doit pas produire de brouillage, et [2] l'utilisateur de l'appareil doit accepter tout brouillage radioélectrique subi, même si le brouillage est susceptible d'en compromettre le fonctionnement.



Remarque importante concernant le recyclage

Veuillez vous conformer aux réglementations concernant les déchets d'équipements électriques et électroniques de votre pays. Cet appareil doit être recyclé. Lorsque le produit arrive en fin de vie, ne le jetez pas avec les ordures ménagères. Veuillez consulter la réglementation locale en vigueur ou le rapporter là où vous l'avez acheté pour qu'il soit recyclé. Si ces options ne sont pas disponibles, veuillez contacter le Service clientèle pour de plus amples informations.

Garantie

Garantie limitée de deux ans, non transférable

Ce produit bénéficie d'une garantie limitée du fabricant. L'ensemble des informations concernant la garantie applicable à ce produit ainsi que ses conditions peuvent être consultées sur le site www.petsafe.com et/ou vous être communiquées si vous contactez votre Service clientèle local.

Europe

Radio Systems PetSafe Europe Ltd.
2nd Floor, Elgee Building, Market Square
Dundalk, Co. Louth, A91 YR9X Ireland

Canada

Radio Systems Corporation
10427 PetSafe Way
Knoxville, TN 37932 USA

Welkom

U en uw huisdier zijn voor elkaar bestemd. Het is onze bedoeling om u het beste gezelschap en de meest onvergetelijke momenten te bezorgen. Uw nieuwe drinkfontein is een stimulans voor uw huisdier om gehydrateerd en gezond te blijven.

We weten dat huisdieren die zich goed voelen hun baasje blij maken. Lees voor gebruik de belangrijke veiligheidsinformatie aandachtig door. Neem gerust contact met ons op als u vragen heeft.

Radio Systems Corporation, Radio Systems PetSafe Europe Ltd., Radio Systems Australia Pty Ltd. en gelieerde bedrijven en merken van Radio Systems Corporation kunnen hierna als 'Wij' of 'Ons' worden aangeduid.

BELANGRIJKE VEILIGHEIDSINSTRUCTIES

Verklaring van belangrijke woorden en symbolen in deze handleiding



Dit symbool staat voor een veiligheidswaarschuwing. Het wordt gebruikt voor mogelijk risico op persoonlijk letsel. Het negeren van veiligheidsmeldingen met dit symbool kan letsel of de dood tot gevolg hebben.

⚠ WAARSCHUWING

WAARSCHUWING geeft een risicosituatie aan. Het niet in acht nemen van deze waarschuwing kan letsel of de dood tot gevolg hebben.

⚠ VOORZICHTIG

VOORZICHTIG, zonder het symbool voor een veiligheidswaarschuwing, geeft een risicosituatie aan. Het negeren van deze waarschuwing kan tot letsel voor uw huisdier leiden.

AANWIJZING

AANWIJZING wordt gebruikt voor advies over veilig gebruik wanneer er geen risico op persoonlijk letsel is.

⚠ WAARSCHUWING

Neem bij het gebruik van elektrische apparaten altijd elementaire veiligheidsmaatregelen in acht om brandgevaar en het risico van elektrische schokken en/of lichamelijk letsel te voorkomen, zoals:

- Lees vóór gebruik van dit product alle instructies door.
- Houd altijd scherp toezicht als het apparaat wordt gebruikt door of in de buurt van kinderen om het risico van letsel te beperken.
- Leg een netsnoer of -stekker niet in water of andere vloeistoffen om de kans op elektrische schokken te verkleinen.
- Gebruik een apparaat niet met een beschadigd stroomsnoer of stekker, of als er sprake is van storingen of beschadigingen. Neem in dat geval onmiddellijk contact op met de klantenservice voor verdere instructies.
- Om het risico van elektrische schokken te verminderen, moet het apparaat zodanig worden geplaatst dat het niet in een bad of wasbak kan vallen als eraan wordt getrokken.
- Haal altijd de stekker uit het stopcontact als het niet wordt gebruikt, als u onderdelen bevestigt of verwijdert en als u het apparaat wilt reinigen.
- Gebruik het apparaat uitsluitend voor het doel waarvoor het is gemaakt.
- Als de stekker van het apparaat nat is geworden, schakelt u de stroomtoevoer naar het betreffende stopcontact uit. Haal de stekker niet uit het stopcontact.
- Controleer het apparaat nadat het weer is aangesloten. Steek de stekker niet in het stopcontact als het netsnoer of de stekker nat is.

VOORZICHTIG

- Voorkom dat uw huisdier op onderdelen kauwt of deze doorslikt. Bedek het snoer met een afdekstrip of kabelgoot als u denkt dat uw huisdier misschien aan de stroomkabel kan knagen (te koop bij elke doe-het-zelfwinkel).
- De plastic onderdelen van de drinkfontein zijn BPA-VRIJ. Het is bekend dat sommige dieren een intolerantie hebben voor plastic water- en voedselbakken. Als uw huisdier tekenen van een allergische reactie ten gevolge van het plastic vertoont, kunt u de drinkfontein pas weer na overleg met uw dierenarts gebruiken.

AANWIJZING

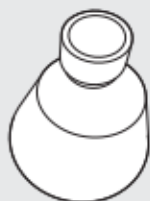
- De drinkfontein is gemaakt om continu te worden gebruikt (altijd van stroom voorzien te zijn), mits er voldoende water in de fontein is en de drinkfontein regelmatig wordt gereinigd. Controleer het waterniveau van de drinkfontein regelmatig om schade aan de pomp te voorkomen. Het water kan opraken of verdampen, waardoor de pomp droog loopt.
- Probeer de pomp niet zelf te repareren.
- Trek niet aan het netsnoer om de stekker uit het stopcontact te trekken.
- Als u de stekker uit het stopcontact wilt halen, trekt u aan de stekker en niet aan het netsnoer.
- Plaats de drinkfontein altijd op een lager niveau dan het stopcontact om te voorkomen dat de stekker of het stopcontact nat wordt.
- Gebruik indien nodig een verlengsnoer met de juiste specificaties.
- Dit apparaat verbruikt 2,5 watt.
- Accessoires die door de fabrikant niet worden aanbevolen of verkocht, kunnen tot een onveilige situatie leiden. Breng geen wijzigingen aan het apparaat aan.
- Vermijd installatie of opslag van het apparaat op een plek die is blootgesteld aan weersomstandigheden of temperaturen onder 4,5 °C.
- Lees alle belangrijke notificaties op het apparaat en in de verpakking en neem die in acht.
- Was het filter nooit met zeepwater omdat er dan niet te verwijderen zeepresten in het filter terechtkomen. Spoel de filters alleen met water uit.
- Gebruik uitsluitend goedgekeurde vervangingsfilters van het merk PetSafe®. Als andere filters worden gebruikt, kan dit verlies van garantie betekenen.
- Niet buiten gebruiken. Niet zonder water gebruiken. Uitsluitend voor gebruik binnenshuis.

BEWAAR DEZE INSTRUCTIES

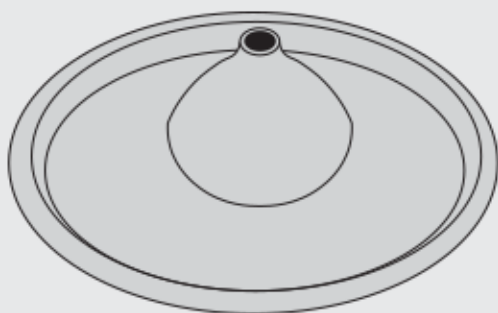
Vlindervormig opzetstuk



Bovenkant filterbehuizing



Bovendeel



Onderkant filterbehuizing



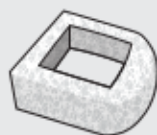
Koolstoffilter



Bak



Schuimfilter



Pomp



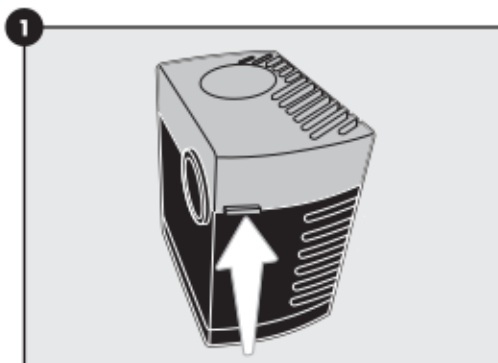
Adapter



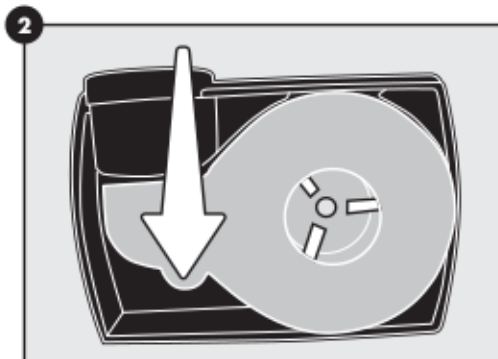
De drinkfontein monteren

Opmerking: Spoel alle onderdelen van de drinkfontein (behalve de adapter) vóór gebruik af met warm water. Zo worden eventuele resten van het fabricageproces verwijderd.

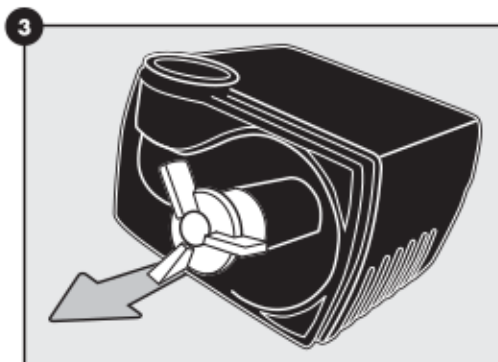
1. Haal de pomp uit elkaar door eerst het blauwe voorplaatje te verwijderen. Trek het lipje voorzichtig omhoog met uw vingers.



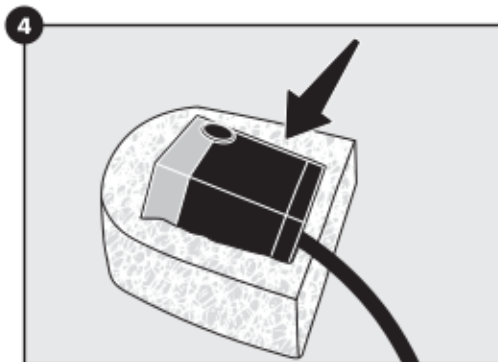
2. Verwijder de traanvormige stator door het lipje omhoog te trekken.



3. De rotor wordt met een magneet op zijn plaats gehouden. Gebruik uw vingernagel om deze op te tillen. Reinig de onderdelen van de pomp met warm water en zeep. Zet de pomp weer in elkaar door eerst de rotor te plaatsen. Plaats vervolgens de stator en het voorplaatje terug.

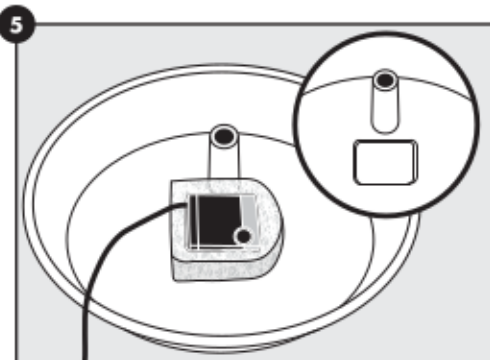


4. Plaats de pomp in het schuimfilter met het snoer aan de bovenkant.

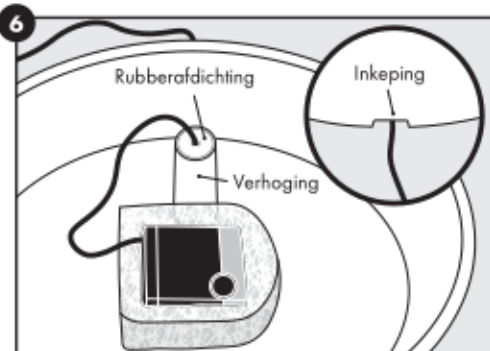


5. Plaats de pomp en het schuimfilter op de bodem van de bak in de vierkante uitsparing zoals aangegeven. Druk het geheel omlaag, zodat de zuignapjes zich vastzuigen.

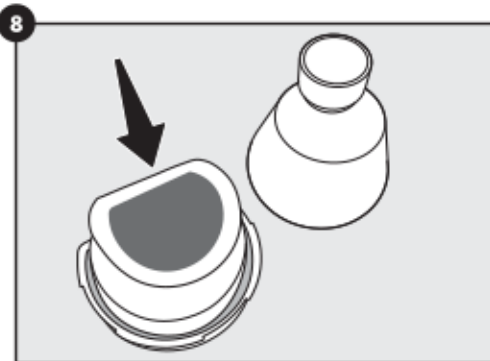
Opmerking: Dit gaat makkelijker als u de zuignapjes vochtig maakt.



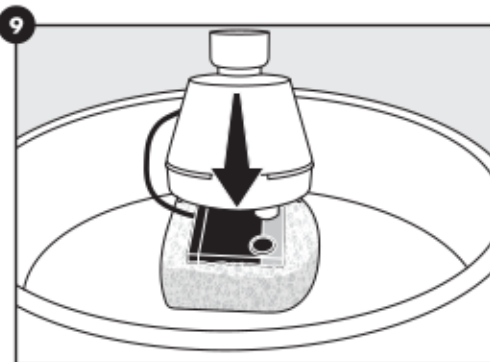
6. Nadat de pomp en het schuimfilter stevig zijn geplaatst, leidt u de stroomkabel door de verhoging en naar buiten door de inkeping aan de onderkant van de bak.
7. Trek de stroomkabel strak en druk de rubberen afdichting stevig op de verhoging. (Zie afbeelding 6)



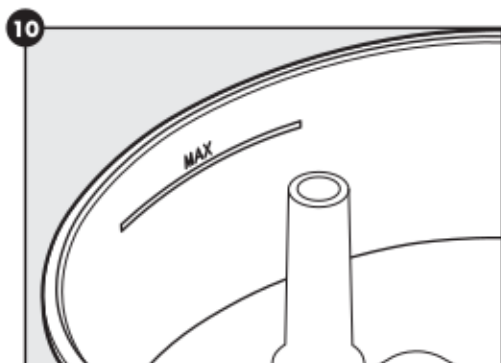
8. Spoel het koolstoffilter grondig af onder koud water om los koolstofpoeder te verwijderen. Open de filterbehuizing en spoel beide delen af met water. Leg het filter in de onderkant van de filterbehuizing waarbij de grotere zijde omlaag is gericht. Bevestig de bovenkant van de filterbehuizing en druk deze omlaag totdat hij op zijn plaats klikt.



9. Plaats de filterbehuizing in het gat boven op de pomp.

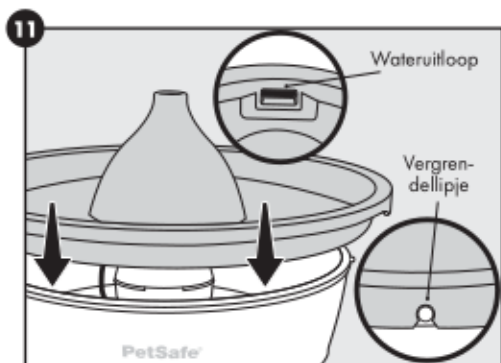


10. Giet water in de bak tot aan de MAX-lijn (maximum).



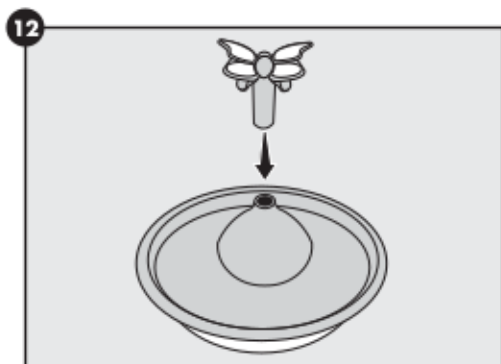
11. Plaats het bovendee van de fontein over de filterbehuizing heen op de bak. Druk beide zijden omlaag totdat de vergrendellipjes vastklikken.

Opmerking: De wateruitloop op het bovendee is naar de achterkant van de bak gericht. Het PetSafe®-logo geeft de voorkant van de bak aan.

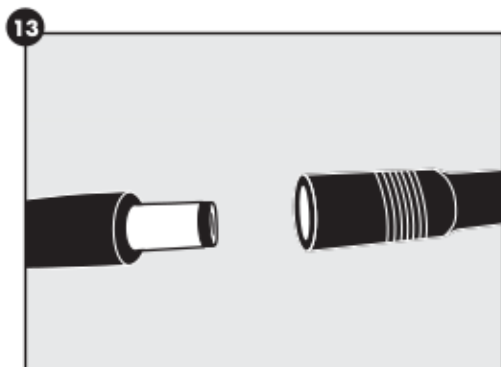


12. Steek het vlindervormige opzetstuk in het gat boven op de toren. Zo krijgt uw huisdier vier waterstromen om van te drinken. De kop van de vlinder moet naar de achterkant van de bak zijn gericht.

Opmerking: Het vlindervormige opzetstuk is optioneel. Zonder de vlinder produceert de fontein een rustige, borrelende waterstroom.



13. Til de drinkfontein op aan de bak en zet hem op de gewenste plek. Zorg ervoor dat de stroomkabel, de stroomadapter en uw handen volledig droog zijn. Sluit de verlengstekker aan en zorg dat er geen zilver zichtbaar is. Steek de adapter in een standaard muurstopcontact.



De drinkfontein reinigen

OPMERKING: Vervang het koolstoffilter om de 2-4 weken en vervang het schuimfilter om de 1-2 maanden.

1. Haal de stekker van de drinkfontein uit het stopcontact en ontkoppel het insteekcontact.
2. Til de drinkfontein op aan de bak en draag hem naar de gootsteen.
3. Giet het water weg en neem de drinkfontein vervolgens uiteen.
4. Werp het koolstoffilter en schuimfilter beide weg. Volg de stappen 1 tot 3 op pagina 23 voor het reinigen van de pomp. Gebruik een mengsel van vier delen water en een deel witte azijn om kalkaanslag te verwijderen.
5. Was alle andere onderdelen met warm water en zeep of plaats ze in het bovenste rek van een afwasmachine.

OPMERKING: Reinig de adapter of pomp nooit in de afwasmachine.

Vervangende onderdelen en accessoires

U kunt vervangende onderdelen, filters en reinigungssets voor de drinkfontein kopen via www.petsafe.com of door contact op te nemen met onze klantenservice. Voor een lijst van telefoonnummers van de klantenservice bezoekt u onze website www.petsafe.com.

Gebruiksvoorwaarden en beperking van aansprakelijkheid

1. Gebruiksvoorwaarden

Het gebruik van dit product betekent zonder uitzondering acceptatie van de algemene voorwaarden en de bijbehorende opmerkingen die hierin staan. Gebruik van dit product impliceert de aanvaarding van deze bepalingen, voorwaarden en opmerkingen. Indien u het niet eens bent met deze algemene voorwaarden en opmerkingen, verzoeken wij u het product ongebruikt, in de originele verpakking en op eigen kosten en risico voor volledige restitutie terug te sturen naar de desbetreffende klantenservicevestiging, samen met het aankoopbewijs.

2. Correct gebruik

Onder correct gebruik wordt ook en zonder uitzondering verstaan, dat de gebruiker de gehele producthandleiding en alle veiligheidsinformatie leest en volgt. Dit product is mogelijk niet geschikt voor het specifieke karakter of de grootte/het gewicht van uw huisdier. Als u er niet zeker van bent of dit product geschikt is voor uw huisdier, gelieve dan vóór gebruik contact op te nemen met uw dierenarts of een gediplomeerde trainer. Radio Systems Corporation raadt aan om producten bedoeld voor het trainen van huisdieren niet te gebruiken als uw huisdier agressief is en is voor individuele gevallen niet aansprakelijk voor het vaststellen van de geschiktheid voor het huisdier.

3. Geen onwettelijk of verboden gebruik

Dit product is alleen ontworpen voor gebruik met huisdieren. Dit product is niet bedoeld om schade of verwondingen toe te brengen, noch om te provoceren. Oneigenlijk gebruik van dit product, kan overtreding van nationale of lokale wetgeving inhouden.

4. Beperking van aansprakelijkheid

Radio Systems Corporation en verwante ondernemingen kunnen in geen enkel geval aansprakelijk gesteld worden voor (i) enige directe, indirecte, geldelijke, incidentele, bijzondere of gevolgschade en/of (ii) enig verlies of welke schade dan ook die voortvloeit uit of verband houdt met het gebruik of onjuiste gebruik van dit product. De koper aanvaardt, in de breedste als bij wet bedoelde zin, alle risico's en aansprakelijkheden die samenhangen met het gebruik van dit product.

5. Wijziging van de algemene voorwaarden

Radio Systems Corporation behoudt zich het recht voor om regelmatig wijzigingen aan te brengen in de voorwaarden, condities en kennisgevingen voor dit product. Indien u voorafgaand aan het gebruik van dit product van deze wijzigingen op de hoogte bent gebracht, gelden deze als bindend.

Conformiteit



Radio Systems Corporation verklaart onder haar eigen verantwoordelijkheid dat de volgende producten conform zijn met de essentiële vereisten van EMC-richtlijn 2014/30/EU en RoHS 2-richtlijn (EU) 2015/863. Niet-geautoriseerde wijzigingen of aanpassingen van de apparatuur die niet zijn goedgekeurd door Radio Systems Corporation, kunnen ertoe leiden dat de gebruiker de EMC-richtlijnen van de EU schendt, dat de gebruiker het systeem niet meer mag gebruiken en dat de garantie komt te vervallen. Hierbij verklaart Radio Systems Corporation dat dit onderdeel voldoet aan de essentiële vereisten en andere desbetreffende bepalingen. U vindt de conformiteitsverklaring op: www.petsafe.com/customer-care/eu_docs.php.



Belangrijk advies voor recycling

Neem de in uw land geldende regelgeving voor afval van elektrische en elektronische apparaten in acht. Dit apparaat dient gerecycled te worden. Gooi het aan het einde van de levensduur niet weg met het gewone huisafval. Volg de plaatselijk geldende wet- en regelgeving of breng het apparaat terug naar de plaats van aankoop, zodat het kan worden opgenomen in ons systeem van hergebruik. Als dit niet mogelijk is, neem dan contact op met de klantenservice voor verdere informatie.

Garantie

Twee jaar niet-overdraagbare beperkte garantie

Dit product beschikt over een beperkte fabrieksgarantie. Alle informatie over de garantie die geldt voor dit product en de gebruiksvoorwaarden ervan vindt u op www.petsafe.com en/of is verkrijgbaar bij de klantenservice voor uw regio.

Radio Systems PetSafe Europe Ltd.
2nd Floor, Elgee Building, Market Square
Dundalk, Co. Louth, A91 YR9X Ireland

Bienvenido

Usted y su mascota están hechos el uno para el otro. Nuestro objetivo es ayudarles a tener la mejor relación posible y los momentos más memorables juntos. Su nueva fuente para mascotas está diseñada para incitar a su mascota a mantenerse hidratada y fresca.

Sabemos que las mascotas seguras hacen felices a sus dueños. Antes de empezar, dedique unos minutos a leer la información de seguridad importante. Si tiene preguntas, no dude en ponerse en contacto con nosotros.

De ahora en adelante se hará referencia a Radio Systems Corporation, Radio Systems PetSafe Europe Ltd., Radio Systems Australia Pty Ltd. y a cualquier otra filial o marca de Radio Systems Corporation colectivamente como "Nosotros".

INSTRUCCIONES DE SEGURIDAD IMPORTANTES

Explicación de los términos y símbolos que se utilizan en este manual



Este es el símbolo de alerta de seguridad. Se utiliza para alertarlo sobre riesgos de lesiones personales potenciales. Siga todos los mensajes de seguridad que aparecen a continuación de este símbolo para evitar posibles daños o la muerte.

⚠ ADVERTENCIA

ADVERTENCIA indica una situación peligrosa que, de no evitarse, podría producir la muerte o daños graves.

ATENCIÓN

ATENCIÓN, utilizada sin el símbolo de alerta de seguridad, indica una situación peligrosa que, de no evitarse, podría provocar daños a su mascota.

AVISO

AVISO se utiliza para referirse a prácticas no relacionadas con las lesiones personales.

⚠ ADVERTENCIA

Para reducir el riesgo de incendio, descarga eléctrica o lesiones personales cuando se usen aparatos eléctricos, se deben seguir unas medidas básicas de precaución, incluyendo las siguientes:

- Lea todas las instrucciones antes de usar este producto.
- Para reducir el riesgo de sufrir daños, controle el dispositivo siempre que lo use cerca o en las proximidades de niños.
- Para evitar una descarga eléctrica, no ponga en contacto el cable de electricidad con agua ni otros líquidos.
- No haga funcionar ningún aparato si tiene un enchufe o cable de alimentación eléctrica dañado, si funciona mal o si ha sido dañado. Llame al Centro de atención al cliente inmediatamente para más instrucciones.
- Para reducir el riesgo de descarga eléctrica, no coloque ni guarde una aplicación donde pueda caerse o empujarse dentro de una bañera o lavabo.
- Desenchufe siempre cualquier aparato cuando no se esté usando, antes de poner o quitar piezas y antes de limpiarlo.
- Nunca use un aparato para un fin distinto del previsto.
- Si el enchufe del dispositivo se moja, corte la electricidad de la toma eléctrica. No intente desenchufarlo.
- Examine el aparato después de instalarlo. No lo conecte a la toma eléctrica si hay agua en el cable eléctrico o el enchufe.

ATENCIÓN

- No deje que las mascotas muerdan o se traguen ningún componente. Si le preocupa que su mascota muerda el cable de alimentación, compre un conducto para el cable (un protector de plástico duro) en cualquier ferretería.
- Las piezas de plástico de la fuente para mascotas **NO CONTIENEN BPA**. No obstante, se sabe que algunos animales son sensibles a los recipientes de plástico para comida y agua. Si su mascota muestra síntomas de reacción alérgica al plástico, deje de usar el producto hasta que haya consultado a su veterinario.

AVISO

- La fuente para mascotas está diseñada para funcionar de forma continua (conectada siempre a una toma eléctrica), siempre y cuando se mantenga el nivel del agua y la fuente para mascotas se limpie con frecuencia. Asegúrese de comprobar el nivel de agua de la fuente para mascotas con regularidad para evitar daños a la bomba, puesto que su mascota beberá el agua y una parte de la misma podría evaporarse.
- No intente reparar la bomba.
- No tire del cable de alimentación para desenchufarlo de la toma eléctrica.
- Para desenchufar el cable, agárrelo del enchufe en sí y no del propio cable eléctrico.
- Para evitar que se mojen el enchufe o la toma eléctrica, la toma eléctrica tiene siempre que estar más alta que la fuente.
- Si necesita usar un cable alargador, debe usar uno con los valores nominales adecuados.
- Este aparato tiene una potencia eléctrica de 2,5 vatios.
- El uso de accesorios no recomendados o vendidos por otros fabricantes podría afectar al funcionamiento seguro del aparato. No modifique el aparato.
- No instale ni guarde el aparato donde pueda verse expuesto a la climatología o a temperaturas inferiores a 4,5 °C.
- Lea y siga todos los avisos importantes del aparato y del envase.
- Nunca lave el filtro con agua jabonosa, puesto que los residuos del jabón pasarían al filtro y no se pueden eliminar. Enjuague el filtro solo con agua.
- Use exclusivamente filtros de repuestos autorizados de la marca PetSafe®. Si se utilizan filtros no autorizados se puede anular la garantía.
- No lo use en el exterior. No poner en funcionamiento en vacío. Solo para uso interno en el hogar.

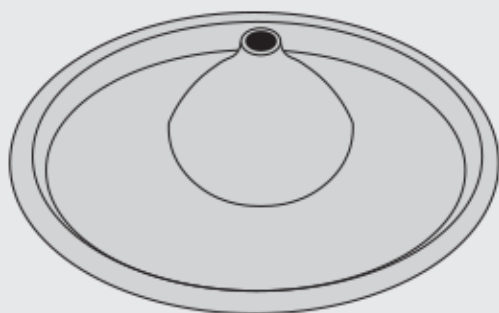
CONSERVE ESTAS INSTRUCCIONES

In the Box

Accesorio de mariposa



Bandeja superior



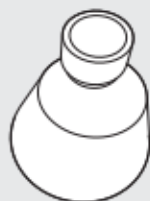
Recipiente



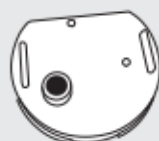
Adaptador



Parte superior de la caja del filtro



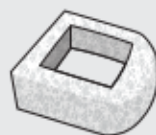
Base de la caja del filtro



Filtro de carbono



Filtro de espuma



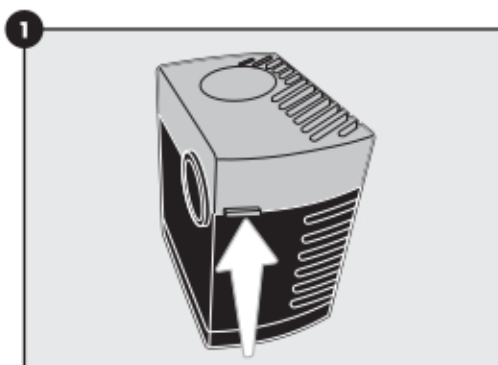
Bomba



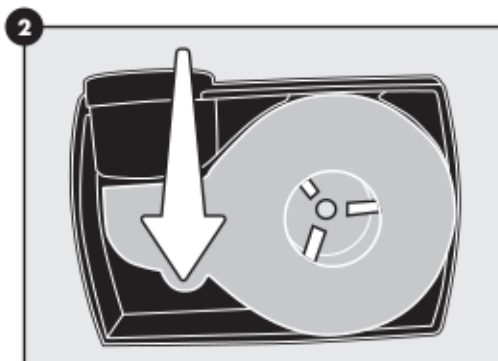
Montaje de la fuente para mascotas

Nota: Aclare todos los componentes de la fuente [excepto el adaptador] con agua tibia antes de utilizar la fuente para mascotas. Esto eliminará cualquier residuo que permanezca en el sistema debido al proceso de fabricación.

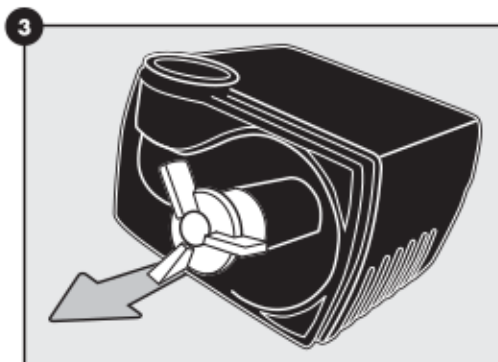
1. Desmonte la bomba retirando en primer lugar la placa frontal azul. Emplee un dedo para empujar la lengüeta pequeña hacia arriba.



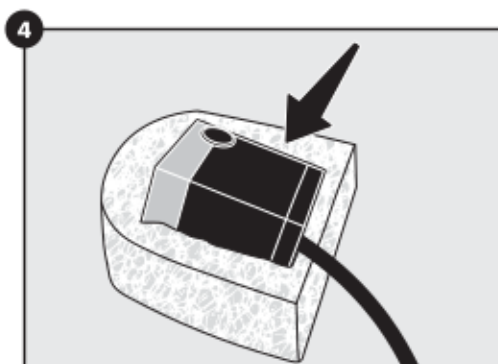
2. Retire el estátor con forma de lágrima tirando de la lengüeta pequeña.



3. Emplee una uña para extraer la hélice, que se mantiene en su lugar fijada magnéticamente. Limpie las partes de la bomba con agua tibia y jabón. Vuelva a ensamblar la bomba insertando primero la hélice. Luego, reemplace el estátor y la placa frontal.

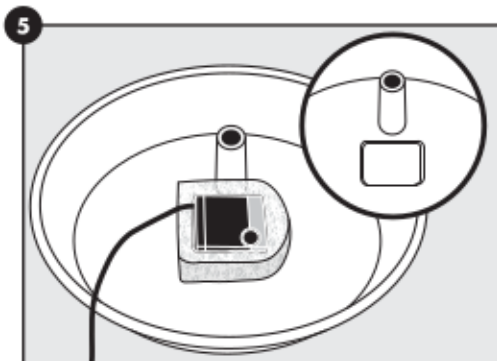


4. Coloque la bomba dentro del filtro de espuma con el cable situado por encima.

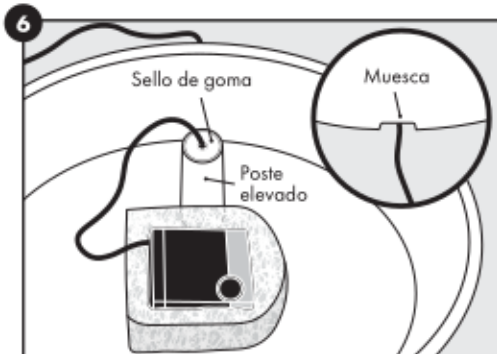


5. Coloque la bomba y el filtro de espuma en el fondo del recipiente dentro de la muesca cuadrada, tal y como se muestra. Presione para adherir las ventosas.

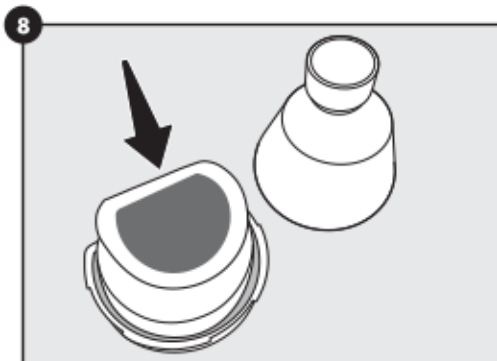
Nota: Humedecer las ventosas facilitará el montaje.



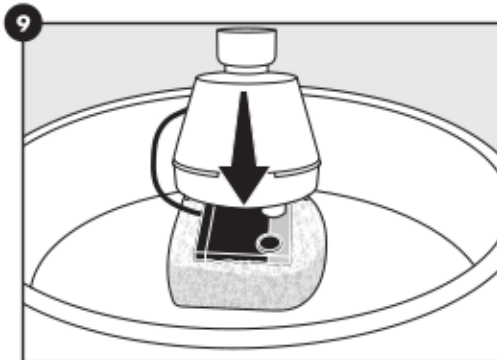
6. Una vez que la bomba y el filtro de espuma estén colocados de forma segura, conecte el cable a través del poste elevado y fuera de la muesca de la base del recipiente.
7. Retire el margen extra del cable y apriete la junta de goma firmemente dentro del poste elevado. (Consulte la imagen n.º 6)



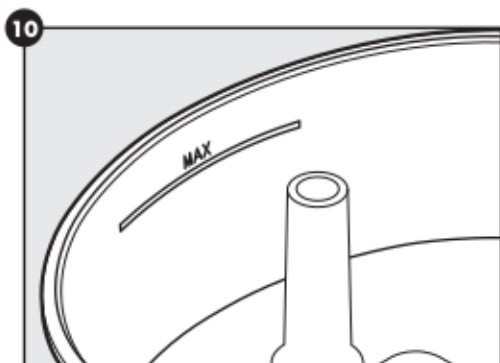
8. Aclare el filtro de carbono concienzudamente con agua fría para eliminar cualquier resto de polvo de carbono. Abra la caja del filtro y enjuague ambas partes bajo el agua. Inserte el filtro en la base de la caja del filtro con el lado mayor orientado hacia abajo. Ponga la parte superior de la caja del filtro y presiónela hacia abajo hasta que encaje en su posición.



9. Introduzca la caja del filtro en el agujero situado en la parte superior de la bomba.

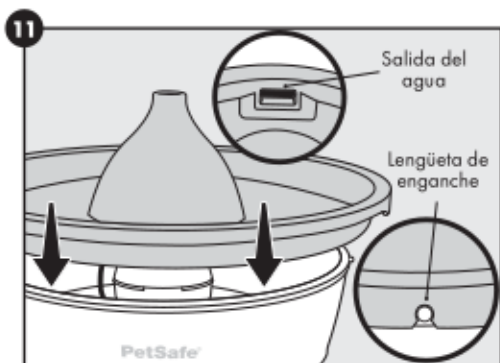


10. Vierta agua en el recipiente hasta que llegue a la línea de relleno MÁX [máximo].



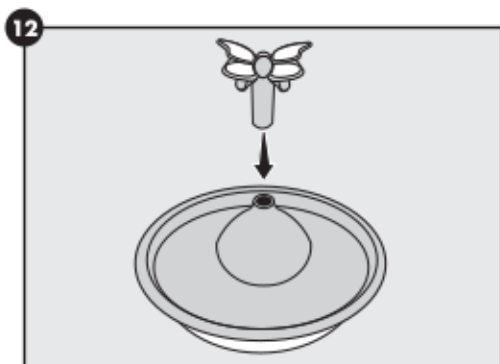
11. Fije la bandeja superior al recipiente alineándola sobre la caja del filtro. Presione hacia abajo en ambos lados para asegurar las lengüetas de enganche.

Nota: La salida de agua en la bandeja quedará orientada hacia la parte posterior del recipiente. El logotipo de PetSafe® indica la parte frontal del recipiente.

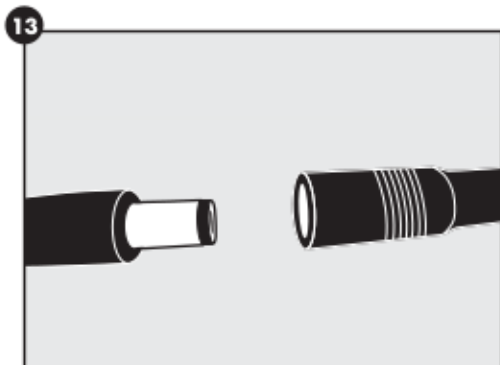


12. Introduzca el accesorio de mariposa en el agujero en la parte superior de la torre. De esta forma su mascota tendrá cuatro chorros de agua para beber. La cabeza de la mariposa debería quedar orientada hacia la parte posterior del recipiente.

Nota: El accesorio de mariposa es opcional. La fuente proporcionará un suave flujo de burbujas sin ella.



13. Coja la fuente para mascotas por el recipiente y colóquela en la posición deseada. Asegúrese de que el cable de alimentación eléctrica, el adaptador y sus manos estén secas. Conecte el enchufe de paso sin que se vea lo plateado. Enchufe el adaptador en una toma de corriente eléctrica de pared estándar.



Limpieza de la fuente para mascotas

NOTA: reemplace el filtro de carbono cada 2-4 semanas y reemplace el filtro de espuma cada 1-2 meses.

1. Desenchufe la fuente para mascotas y desconecte el enchufe de paso.
2. Coja la fuente para mascotas desde el cuenco y llévela a la pila.
3. Tire el agua y luego desmonte la fuente para mascotas.
4. Deshágase del filtro de carbono y del filtro de espuma. Para limpiar la bomba, consulte los pasos 1-3 en la página 31. Utilice una solución de 80 % de agua y 20 % de vinagre blanco para eliminar la acumulación dura del agua.
5. Lave las otras partes con agua tibia y jabón, o colóquelas en la bandeja superior del lavavajillas.

NOTE: no coloque el adaptador, el conector de goma ni la bomba en el lavavajillas.

Accesorios y piezas de recambio

Puede comprar las piezas de recambio, los filtros y los kits de limpieza para su fuente para mascotas en www.petsafe.com o poniéndose en contacto con nuestro Centro de atención al cliente. Para obtener un listado de los números de teléfono del Centro de atención al cliente, visite nuestro sitio web www.petsafe.com.

Términos de uso y limitación de responsabilidad

1. Términos de uso

El uso de este producto está sujeto a su aceptación sin modificación de los términos, las condiciones y los avisos incluidos en este producto. El uso de este producto implica la aceptación de dichos términos, condiciones y avisos. Si no desea aceptar estos términos, condiciones y avisos, devuelva el producto sin utilizar, en su paquete original, a portes pagados y asumiendo el riesgo del envío al Centro de atención al cliente pertinente junto con la prueba de compra para obtener una devolución total.

2. Uso correcto

El uso correcto incluye, sin limitación, la revisión de este Manual del producto y de cualquier declaración de seguridad específica. El temperamento o el tamaño/peso de su mascota pueden no ser apropiados para este producto. Si no está seguro de si este producto es apropiado para su mascota, consulte a su veterinario o con un adiestrador certificado antes de usarlo. En el caso de productos que se utilicen con mascotas a las que se desea adiestrar, Radio Systems Corporation recomienda que estos productos de adiestramiento no se usen si su mascota es agresiva, y no acepta ninguna responsabilidad en lo que respecta a la determinación de la idoneidad en casos individuales.

3. Uso ilegal o prohibido

Este producto está diseñado para utilizarse solo con mascotas. Este producto no tiene como propósito herir, dañar ni provocar. El uso de este producto de una forma para la que no esté indicado podría dar como resultado una infracción de las leyes federales, estatales o locales.

4. Limitación de responsabilidad

En ningún caso será Radio Systems Corporation ni ninguna de sus empresas asociadas responsable de (i) daños indirectos, punitivos, incidentales, especiales o derivados y/o (ii) pérdidas o daños de cualquier tipo que se deriven de o guarden relación con un uso incorrecto de este Producto. El comprador asume todos los riesgos y responsabilidades del uso del producto en la medida en que esté permitido por la ley.

5. Modificación de las condiciones generales

Radio Systems Corporation se reserva el derecho a cambiar periódicamente los términos, condiciones y notificaciones en las que se ofrece este producto. Si dichos cambios le han sido notificados antes de usar este producto, serán vinculantes para usted del mismo modo que si estuvieran incluidos en este documento.

Conformidad



Radio Systems Corporation declara bajo su responsabilidad que los siguientes productos cumplen los requisitos esenciales y otras disposiciones relevantes de la Directiva 2014/30/UE de la EMC y la Directiva (UE) 2 de la RoHS 2015/863. Los cambios o modificaciones no autorizados realizados en el equipo que no estén aprobados por Radio Systems Corporation pueden infringir las normas EMC de la UE, podrían anular la autorización del usuario para usar el equipo y anularán la garantía. Por la presente, Radio Systems Corporation, declara que esta parte cumple los requisitos esenciales y otras disposiciones relevantes. La declaración de conformidad se puede encontrar en: www.petsafe.com/customer-care/eu_docs.php.



Aviso importante sobre el reciclaje

Respete las normas relativas a la eliminación de residuos de equipos eléctricos y electrónicos de su país. Este equipo debe reciclarse. Al final de la vida útil de este equipo, no lo deje en el sistema de basuras normal municipal. Compruebe la normativa de su zona o devuélvalo al sitio donde lo compró para que pueda incluirse en nuestro sistema de reciclado. Si estas opciones no son posibles, contacte con el Centro de atención al cliente para más información.

Garantía

Garantía limitada no transferible de dos años

El fabricante de este producto ofrece una garantía limitada. Puede encontrar los detalles de la garantía aplicable a este producto, así como sus términos, en www.petsafe.com y también estarán disponibles poniéndose en contacto con el Centro de atención al cliente local.

Radio Systems PetSafe Europe Ltd.
2nd Floor, Elgee Building, Market Square
Dundalk, Co. Louth, A91 YR9X Ireland

Benvenuti!

Voi e il vostro animale domestico siete fatti l'uno per l'altro. Il nostro scopo è aiutarvi a consolidare un'amicizia fatta di momenti indimenticabili. La nuova fontana per animali domestici è progettata per consentire al vostro amico animale di restare idratato e in buona salute.

Sappiamo che ad animali domestici sicuri corrispondono proprietari felici. Prima di iniziare, leggete attentamente queste importanti informazioni sulla sicurezza. In caso di domande, non esitate a contattarci.

Di seguito Radio Systems Corporation, Radio Systems PetSafe Europe Ltd., Radio Systems Australia Pty Ltd. e qualunque altra affiliata o marchio di Radio Systems Corporation possono essere indicati collettivamente con "Noi".

IMPORTANTI ISTRUZIONI PER LA SICUREZZA

Spiegazione dei termini e dei simboli di attenzione utilizzati in questa guida



È il simbolo di allerta sicurezza. Viene utilizzato per avvisare di ogni possibile rischio di lesioni personali. Osservare tutti i messaggi di sicurezza segnalati da questo simbolo per evitare possibili lesioni, anche letali.

AVVERTENZA

AVVERTENZA indica una situazione pericolosa che, se non evitata, potrebbe causare gravi lesioni, anche letali.

ATTENZIONE

ATTENZIONE, utilizzato senza il simbolo di allerta sicurezza, indica una situazione pericolosa che, se non evitata, potrebbe nuocere all'animale domestico.

AVVISO

AVVISO viene utilizzato per indicare procedure senza rischio di lesioni personali.

AVVERTENZA

Quando si usano apparecchi elettrici, è necessario seguire sempre le precauzioni di sicurezza di base per ridurre il rischio di incendi, scosse elettriche e/o lesioni personali:

- Leggere per intero le istruzioni prima di utilizzare il prodotto.
- Per ridurre il rischio di lesioni, è necessaria una stretta sorveglianza quando l'apparecchio viene utilizzato da o in prossimità di bambini.
- Per evitare scosse elettriche, non immergere il cavo di alimentazione elettrica o la spina in acqua o altri liquidi.
- Non utilizzare alcun apparecchio se la spina o il cavo di alimentazione elettrica è danneggiato o non funziona. Rivolgersi immediatamente al Centro assistenza clienti per ulteriori istruzioni.
- Per ridurre il rischio di scosse elettriche, non posizionare l'apparecchio dove potrebbe cadere in una vasca o in un lavandino.
- Staccare sempre la spina quando l'apparecchio rimane inutilizzato per qualche tempo, prima di installare o rimuovere i componenti e prima della pulizia.
- Non utilizzare un apparecchio per scopi diversi da quelli previsti.
- Se la spina di questo dispositivo si bagna, disinserire l'elettricità diretta a quella presa elettrica. Non tentare di staccare la spina.
- Esaminare questo apparecchio dopo l'installazione. Non inserire la spina nella presa di corrente se la spina o il cavo di alimentazione elettrica è bagnato.

ATTENZIONE

- Impedire agli animali domestici di mordere o inghiottire i componenti. Se si teme che l'animale domestico possa mordere il cavo di alimentazione elettrica, acquistare una canalina passacavo (una protezione in plastica rigida) presso un negozio di ferramenta.
- Le parti in plastica della fontana per animali domestici non contengono bisfenolo (BPA). Tuttavia, è stato riscontrato che alcuni animali sono sensibili ai contenitori in plastica per cibo e acqua. Se l'animale mostra segni di reazione allergica alla plastica, interrompere l'uso e consultare il veterinario.

AVVISO

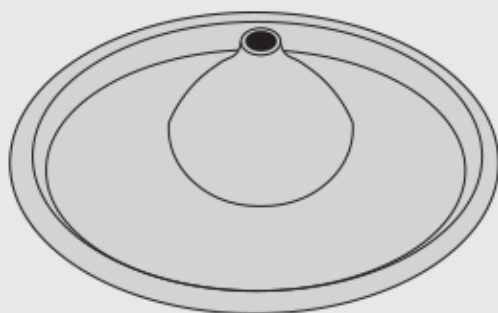
- La fontana per animali domestici è studiata per funzionare in modo continuo (sempre collegata a una presa elettrica), a condizione che il livello dell'acqua sia mantenuta costante e la fontana venga pulita regolarmente. Controllare regolarmente il livello dell'acqua per evitare danni alla pompa, in quanto l'acqua potrebbe esaurirsi o evaporare.
- Non tentare di riparare la pompa.
- Non tirare il cavo di alimentazione elettrica per estrarre la spina dalla presa elettrica.
- Per scollegare l'alimentazione, afferrare la presa, non il cavo.
- Per evitare che la spina e la presa elettrica si bagnino, mantenerle sempre a un'altezza superiore rispetto alla fontana.
- Se è necessario utilizzare una prolunga, verificare che la potenza nominale sia corretta.
- Il consumo elettrico di questo apparecchio è 2,5 watt.
- L'uso di accessori non raccomandati o non venduti dal produttore può causare condizioni di pericolo. Non modificare l'apparecchio.
- Non installare né riporre l'apparecchio in luoghi soggetti a condizioni climatiche o a temperature inferiori a 4,5 °C.
- Leggere e osservare tutti gli avvisi importanti riportati sul dispositivo e nella confezione.
- Non lavare mai il filtro con acqua saponata poiché il sapone residuo penetra nel filtro e non può essere rimosso. Sciacquare il filtro solo con acqua.
- Utilizzare solo i filtri di ricambio autorizzati a marchio PetSafe®. L'utilizzo di filtri non autorizzati può invalidare la garanzia.
- Non utilizzare all'aperto. Non utilizzare a secco. Esclusivamente per uso in ambienti residenziali chiusi.

CONSERVARE LE PRESENTI ISTRUZIONI

Puntale a farfalla



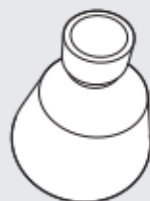
Vassoio superiore



Ciotola



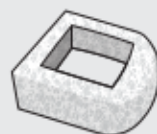
Adattatore

Parte superiore
dell'alloggiamento del filtroBase dell'alloggiamento
del filtro

Filtro al carbone



Filtro in schiuma



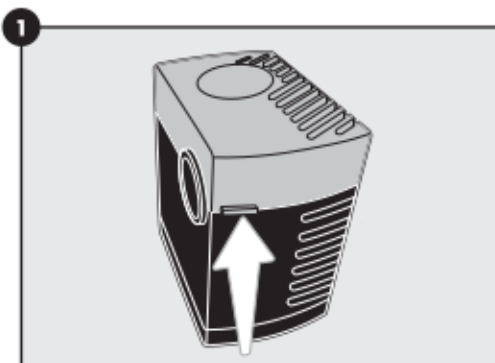
Pompa



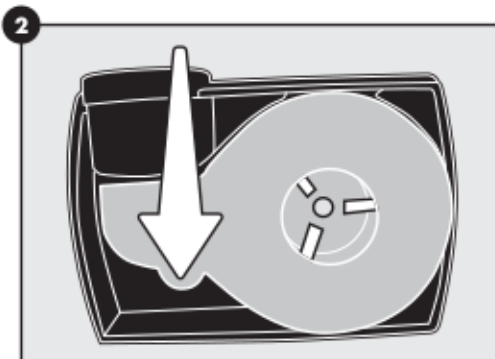
Montaggio della fontana per animali domestici

Nota: Prima dell'uso, sciacquare tutti i componenti della fontana per animali domestici (tranne l'adattatore) con acqua calda. In questo modo, verranno rimossi i residui del processo di produzione.

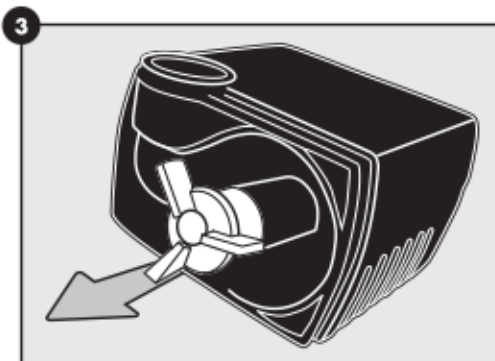
1. Smontare la pompa rimuovendo per prima la mascherina blu. Tirare la linguetta con le dita.



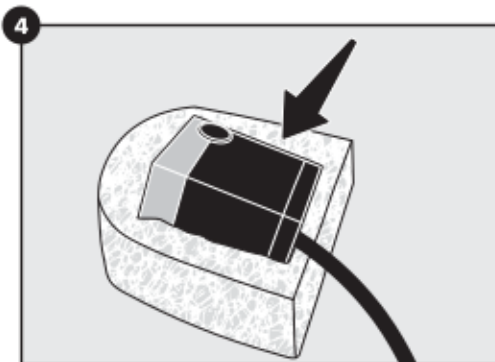
2. Rimuovere lo statore a goccia tirandolo per la linguetta.



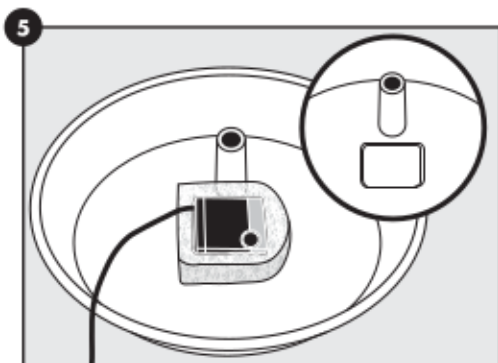
3. Per estrarre il girante che è tenuto in posizione da un magnete, utilizzare un'unghia. Pulire i componenti della pompa con acqua calda e sapone. Rimontare la pompa inserendo per primo il girante. Quindi, sostituire statore e mascherina.



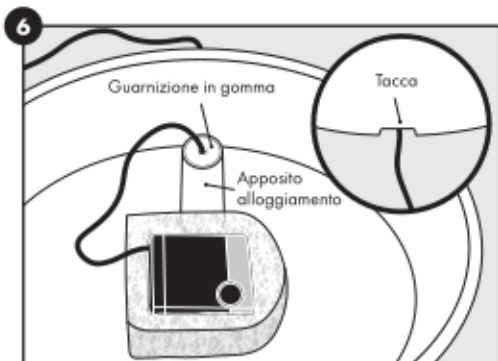
4. Posizionare la pompa nel filtro in schiuma con il cavo posto al di sopra.



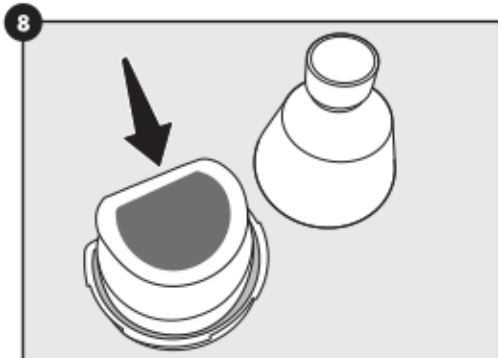
5. Posizionare la pompa e il filtro in schiuma nella parte inferiore della ciotola all'interno della stampigliatura quadrata, come illustrato. Premere verso il basso per applicare le ventose. **Nota:** Inumidire le ventose per favorire il montaggio.



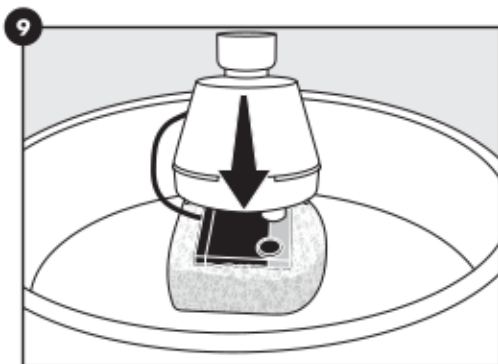
6. Quando la pompa e il filtro in schiuma sono fermi e in posizione, infilare il cavo nell'apposita sede facendolo fuoriuscire dall'apertura alla base della ciotola.
7. Stendere il cavo e spingere con decisione la guarnizione in gomma nell'apposita sede. (v. figura 6)



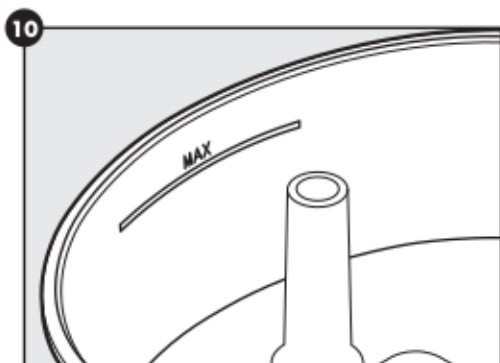
8. Sciacquare accuratamente il filtro a carbone in acqua fredda per rimuovere eventuali residui di polvere di carbone. Aprire l'alloggiamento del filtro e sciacquare entrambe le parti sotto l'acqua corrente. Inserire il filtro nella base dell'alloggiamento, con il lato più largo rivolto verso il basso. Fissare la parte superiore dell'alloggiamento del filtro e premere verso il basso finché non scatta in posizione.



9. Inserire l'alloggiamento del filtro nell'apertura nella parte alta della pompa.

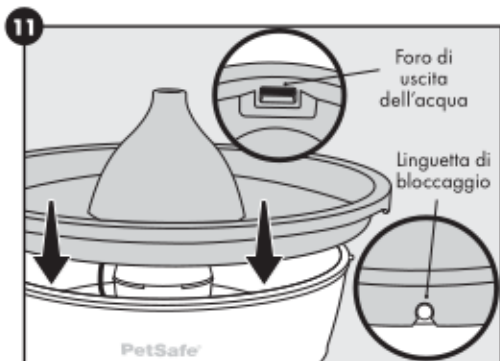


10. Versare l'acqua nella ciotola fino a raggiungere la linea di riempimento MAX (massima).



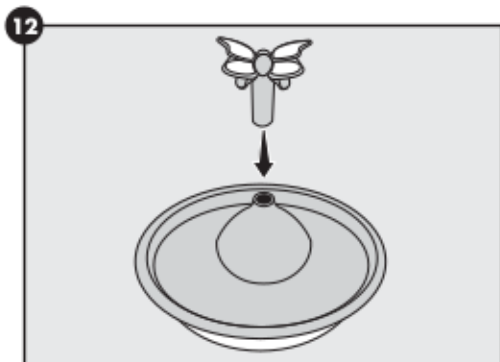
11. Collegare il vassoio superiore alla ciotola allineandola alle tacche sull'alloggiamento del filtro. Premere verso il basso su entrambi i lati per fissare le linguette di bloccaggio.

Nota: L'uscita dell'acqua sul vassoio sarà rivolta verso la parte posteriore della ciotola. Il logo PetSafe® è posto sulla parte anteriore della ciotola.

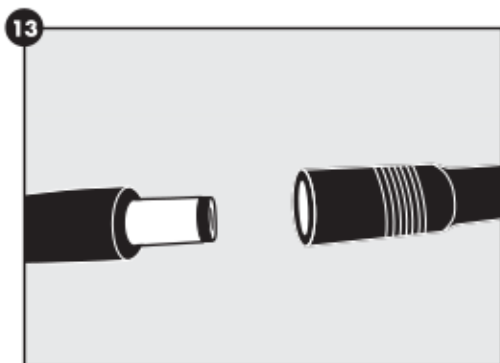


12. Inserire il puntale a farfalla nel foro sulla parte superiore della torre. In questo modo il tuo animale domestico avrà a disposizione quattro zampilli da cui bere. La testa della farfalla dovrebbe essere rivolta verso la parte posteriore della ciotola.

Nota: L'uso del puntale a farfalla è facoltativo. Senza di esso, dalla fontana uscirà un delicato getto d'acqua gorgogliante.



13. Sollevare la fontana per animali domestici per la ciotola e collocarla nel luogo desiderato. Verificare che mani, adattatore e cavo di alimentazione siano completamente asciutti. Collegare la spina di raccordo e verificare che non siano visibili parti argentate. Collegare l'adattatore a una presa elettrica standard.



Pulizia della fontana per animali domestici

NOTA: sostituire il filtro a carbone ogni 2-4 settimane e il filtro in schiuma ogni 1-2 mesi.

1. Scollegare la fontana e scollegare la spina di raccordo.
2. Sollevare la fontana per animali domestici per la ciotola e avvicinarla al lavandino.
3. Svuotarla, quindi smontare la fontana per animali domestici.
4. Eliminare il filtro a carbone e il filtro in schiuma. Per pulire la pompa, eseguire i passaggi 1-3 a pagina 39. Utilizzare una soluzione all'80% di acqua e al 20% di aceto bianco per rimuovere il calcare.
5. Lavare tutti gli altri componenti con acqua calda saponata o posizzarli nel cestello superiore della lavastoviglie.

NOTA: non lavare l'adattatore o la pompa in lavastoviglie.

Ricambi e accessori

I ricambi, i filtri e i kit di pulizia per la fontana per animali domestici possono essere acquistati sul sito www.petsafe.com o contattando il Centro assistenza clienti. Per un elenco dei numeri di telefono dei Centri assistenza clienti, visitare il sito Web all'indirizzo www.petsafe.com.

Limitazione di responsabilità e condizioni di utilizzo

1. Condizioni di utilizzo

L'utilizzo di questo prodotto è soggetto all'accettazione da parte dell'utente, senza modifiche, delle condizioni generali e degli avvisi contenuti in questo prodotto. L'utilizzo di questo prodotto implica l'accettazione totale di tali termini, condizioni generali e avvisi. Qualora l'utente non intenda accettare questi termini, condizioni generali e avvisi, per ottenere il rimborso totale del prodotto, dovrà restituirlo, inutilizzato, a proprie spese e a proprio rischio e nella sua confezione originale, all'Assistenza clienti di competenza, allegando la prova d'acquisto.

2. Utilizzo corretto

Il corretto utilizzo include, a titolo esemplificativo ma non esaustivo, la lettura dell'intero Manuale del prodotto e di qualsiasi dichiarazione informativa specifica sulla sicurezza. Il carattere o la taglia e/o il peso specifico dell'animale domestico potrebbero non essere idonei all'utilizzo di questo prodotto. In caso di dubbi in merito all'idoneità del prodotto per il proprio animale domestico, prima dell'uso, consultare il veterinario di fiducia o un addestratore certificato. Per i prodotti usati con animali domestici che richiedono addestramento, Radio Systems Corporation raccomanda di non utilizzare questi prodotti per l'addestramento di animali domestici aggressivi e non si assume la responsabilità di stabilirne l'idoneità nei singoli casi.

3. Divieto di uso illegale o proibito

Questo prodotto deve essere usato unicamente con animali domestici. Questo prodotto non è inteso a danneggiare, ferire o provocare. L'utilizzo di questo prodotto in modo diverso da quello previsto potrebbe configurare la violazione di leggi federali, statali o locali.

4. Limitazione di responsabilità

In nessun caso Radio Systems Corporation, o una delle sue affiliate, potrà essere ritenuta responsabile di (i) qualsiasi danno diretto, indiretto, punitivo, accidentale, speciale o consequenziale e/o di (ii) qualsiasi perdita o danno derivante o ricollegabile all'uso o all'uso improprio di questo prodotto. L'acquirente si assume tutti i rischi e le responsabilità associati all'uso di questo prodotto nella misura massima consentita dalla legge.

5. Modifica delle Condizioni di utilizzo

Radio Systems Corporation si riserva il diritto di modificare periodicamente i termini, le condizioni e gli avvisi che disciplinano l'uso di questo prodotto. Se tali modifiche sono state notificate all'acquirente prima dell'uso del prodotto, risulteranno vincolanti come se fossero incorporate all'interno di questo documento.

Conformità



Radio Systems Corporation dichiara sotto la propria responsabilità che i seguenti prodotti sono conformi ai requisiti essenziali della direttiva EMC 2014/30/UE e della direttiva RoHS 2 2015/863. Variazioni o modifiche non autorizzate, non direttamente approvate da Radio Systems Corporation, possono violare le disposizioni EMC dell'UE, annullare il diritto dell'utente all'uso del prodotto e invalidare la garanzia. Con la presente, Radio Systems Corporation dichiara che questa parte è conforme ai requisiti essenziali e ad altre disposizioni rilevanti. Il testo della Dichiarazione di conformità è disponibile all'indirizzo Web: www.petsafe.com/customer-care/eu_docs.php.



Avviso importante per il riciclaggio

Rispettare le normative sui Rifiuti di apparecchiature elettriche ed elettroniche del proprio Paese. Questo apparecchio deve essere riciclato. Al termine della sua vita utile, non gettarlo nei normali rifiuti domestici. Attenersi alle normative vigenti a livello locale o riportarlo al negozio dove è stato acquistato perché sia inserito nel nostro sistema di riciclaggio. Se ciò non fosse possibile, si invita l'utente a contattare il Centro assistenza clienti per ulteriori informazioni.

Garanzia

Garanzia limitata non trasferibile di due anni

Questo prodotto viene fornito completo di una garanzia limitata del produttore. Informazioni complete sulla garanzia applicabile a questo prodotto e le relative condizioni sono disponibili sul sito Web www.petsafe.com e/o possono essere richieste contattando il Centro assistenza clienti di zona.

Radio Systems PetSafe Europe Ltd.
2nd Floor, Elgee Building, Market Square
Dundalk, Co. Louth, A91 YR9X Ireland

Willkommen

Sie möchten das Beste für Ihr Haustier. Unser Ziel ist es, Ihnen dabei zu helfen. Ihr neuer Trinkbrunnen soll Ihr Haustier zum Trinken animieren, damit es gesund bleibt.

Wir wissen, dass gesunde Haustiere Besitzer glücklich machen. Nehmen Sie sich vor dem ersten Einsatz des Produkts bitte einen Moment Zeit, um die wichtigsten Sicherheitshinweise zu lesen. Falls Sie Fragen haben, wenden Sie sich gerne an uns.

Im Folgenden bezieht sich „wir“ oder „uns“ auf die Radio Systems Corporation, Radio Systems PetSafe Europe Ltd., Radio Systems Australia Pty Ltd. und jegliche anderen Tochtergesellschaften oder Marken der Radio Systems Corporation.

WICHTIGE SICHERHEITSHINWEISE

Erklärung der in dieser Gebrauchsanleitung verwendeten Warnhinweise und Symbole



Dies ist das Sicherheitswarnsymbol. Es weist auf mögliche Verletzungsgefahren hin. Befolgen Sie alle mit diesem Symbol gekennzeichneten Sicherheitshinweise, um mögliche Verletzungen oder Todesfälle zu vermeiden.

⚠️ WARNUNG

WARNUNG weist auf eine gefährliche Situation hin, die bei Nichtvermeidung zum Tod oder schweren Verletzungen führen kann.

VORSICHT

VORSICHT ohne das Sicherheitswarnsymbol weist es auf eine gefährliche Situation hin, die Ihrem Haustier Schaden zufügen kann, wenn sie nicht vermieden wird.

HINWEIS

HINWEIS kennzeichnet Informationen, die nicht im Zusammenhang mit Körperverletzung stehen.

⚠️ WARNUNG

Bei der Verwendung von elektrischen Geräten sollten stets grundlegende Sicherheitsmaßnahmen ergriffen werden, um die Brandgefahr, die Gefahr eines Stromschlags und/oder Körperverletzungen zu reduzieren. Hierzu zählen folgende Maßnahmen:

- Lesen Sie die Anweisungen vor der Verwendung des Produkts vollständig durch.
- Zur Reduzierung der Verletzungsgefahr ist die Verwendung des Geräts durch oder in der Nähe von Kindern streng zu beaufsichtigen.
- Zum Schutz vor Stromschlag dürfen das Netzkabel und der Stecker nicht in Wasser oder andere Flüssigkeiten getaucht werden.
- Elektrische Geräte dürfen nicht verwendet werden, wenn das Netzkabel oder der Stecker beschädigt ist oder wenn das Gerät nicht ordnungsgemäß funktioniert oder beschädigt ist. Wenden Sie sich zwecks weiterer Anweisungen umgehend an die Kundenbetreuung.
- Um die Gefahr eines Stromschlags zu reduzieren, darf das Gerät nicht an einem Ort betrieben oder aufbewahrt werden, an dem in eine Badewanne oder ein Spülbecken fallen oder gezogen werden könnte.
- Das Gerät ist bei Nichtgebrauch, vor dem Anbringen oder Entfernen von Teilen sowie vor dem Reinigen stets vom Netzstrom zu trennen.
- Das Gerät darf nur entsprechend seines Verwendungszwecks genutzt werden.
- Wenn der Stecker des Geräts nass wird, während es mit dem Netzstrom verbunden ist, ist die Sicherung des Stromkreises auszuschalten, zu dem die betroffene Steckdose gehört. Versuchen Sie nicht, den Stecker zuvor zu ziehen.
- Das Gerät sollte nach der Installation überprüft werden. Schließen Sie es nicht an eine Steckdose an, wenn das Netzkabel oder der Stecker feucht ist.

VORSICHT

- Haustiere dürfen an keinem der Teile nagen oder sie verschlucken. Falls Sie Bedenken haben, dass Ihr Haustier das Netzkabel annagen könnte, schützen Sie das Kabel durch eine Kabelführung (im Baumarkt erhältlich).
- Die Kunststoffteile des Trinkbrunnens sind frei von BPA. Manche Tiere reagieren jedoch auf Fressnäpfe und Wasserbehälter aus Kunststoff empfindlich. Falls Ihr Haustier Zeichen einer allergischen Reaktion auf den Kunststoff aufweist, verwenden Sie das Gerät nicht weiter, bevor Sie nicht Ihren Tierarzt konsultiert haben.

HINWEIS

- Der Trinkbrunnen ist für den kontinuierlichen Betrieb gedacht (immer an eine Steckdose angeschlossen). Wichtig ist dabei, dass der Mindestwasserstand eingehalten und der Trinkbrunnen regelmäßig gereinigt wird. Überprüfen Sie den Wasserstand regelmäßig, um Schäden an der Pumpe zu vermeiden. Der Wasserstand verringert sich nicht nur, weil Ihr Haustier aus dem Gerät trinkt, sondern auch aufgrund von Verdunstung.
- Führen Sie keine Reparaturarbeiten an der Pumpe durch.
- Ziehen Sie nicht am Netzkabel, um den Stecker aus der Steckdose zu ziehen.
- Ziehen Sie am Stecker, um das Netzkabel von der Stromversorgung zu trennen.
- Um zu vermeiden, dass der Stecker oder die Steckdose nass werden, sollte sich die Steckdose stets oberhalb des Trinkbrunnens befinden.
- Falls ein Verlängerungskabel erforderlich ist, verwenden Sie nur zertifizierte Verlängerungskabel.
- Die elektrische Leistung des Geräts beträgt 2,5 Watt.
- Nicht vom Hersteller empfohlene oder angebotene Aufsätze können zu unsicheren Betriebsbedingungen führen. Nehmen Sie keine Änderungen am Gerät vor.
- Das Gerät darf nicht an einem Ort betrieben oder aufbewahrt werden, an dem es Witterungsbedingungen oder Temperaturen unter 4,5 °C ausgesetzt ist.
- Lesen und berücksichtigen Sie alle wichtigen an dem Gerät und an der Verpackung aufgeführten Hinweise.
- Waschen Sie den Filter niemals mit Seifenwasser, da in den Filter gelangte Seifenrückstände nicht mehr entfernt werden können. Spülen Sie den Filter nur mit Wasser ab.
- Verwenden Sie nur autorisierte Marken-Ersatzfilter von PetSafe®. Die Verwendung nicht genehmigter Filter kann zum Erlöschen der Garantie führen.
- Das Gerät darf nicht im Freien verwendet werden. Betreiben Sie das Gerät nicht in unbefülltem Zustand. Das Gerät darf nur in Innenräumen verwendet werden.

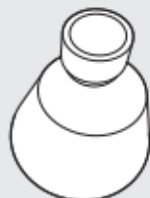
GEBRAUCHSANWEISUNG AUFBEWAHREN

In the Box

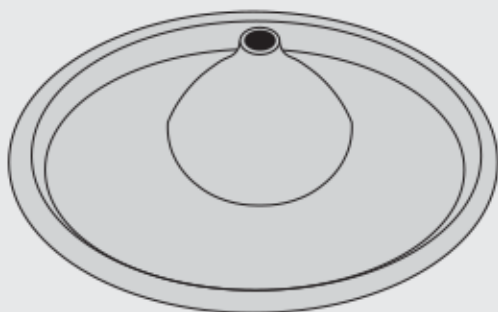
Schmetterlingsaufsatz



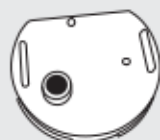
Aufsatz des Filtergehäuses



Obere Schale



Sockel des Filtergehäuses



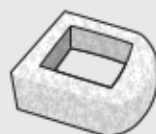
Schüssel



Aktivkohlefilter



Schaumfilter



Pumpe



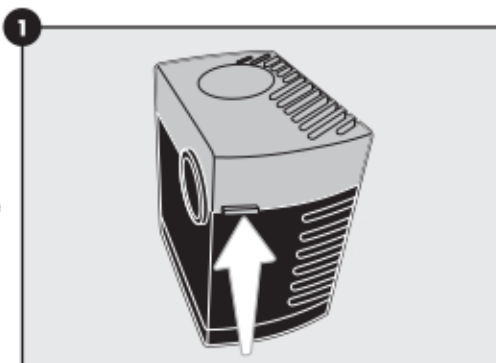
Netzadapter



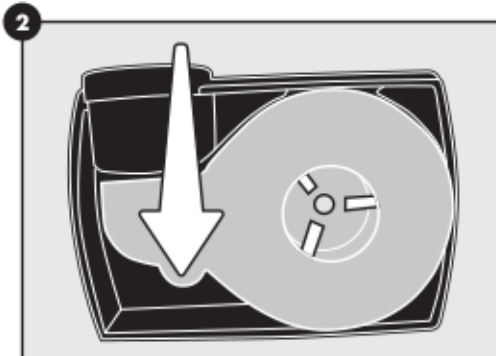
Montage des Trinkbrunnens

Hinweis: Spülen Sie sämtliche Bestandteile des Trinkbrunnens (außer den Netzadapter) vor Gebrauch mit warmem Wasser ab. Dies dient zum Entfernen von Herstellungsrückständen.

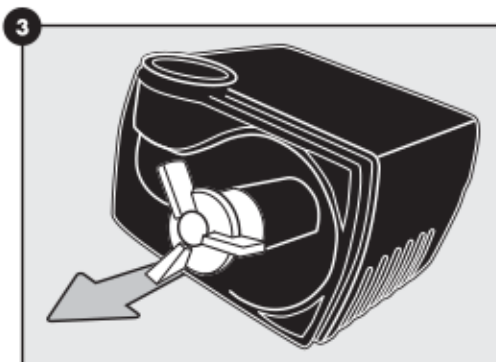
1. Entfernen Sie zum Zerlegen der Pumpe zunächst die blaue Frontplatte. Ziehen Sie die kleine Lasche mit dem Finger hoch.



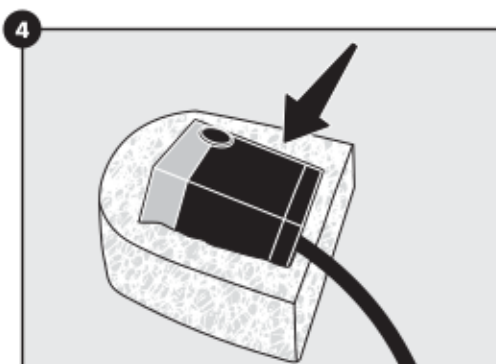
2. Entfernen Sie den tropfenförmigen Stator durch Hochziehen der kleinen Lasche.



3. Ziehen Sie mit dem Fingernagel den Impeller heraus. Dieser wird durch einen Magneten gehalten. Reinigen Sie die Pumpenteile mit warmem Wasser und Seife. Bauen Sie die Pumpe wieder zusammen, indem Sie zuerst den Impeller einsetzen. Setzen Sie dann den Stator ein, und bringen Sie die Frontplatte an.

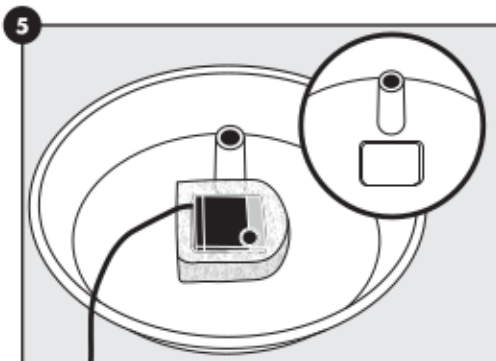


4. Setzen Sie die Pumpe so in den Schaumfilter ein, dass das Netzkabel oberhalb verläuft.



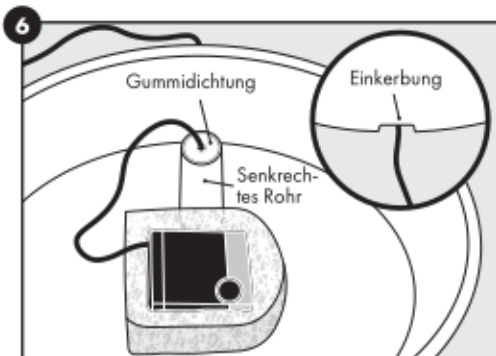
5. Platzieren Sie die Pumpe und den Schaumfilter in der viereckigen Aussparung in der Schüssel (siehe Abbildung). Drücken Sie beides nach unten, um die Saugnäpfe zu befestigen.

Hinweis: Das Befechten der Saugnäpfe erleichtert die Montage.

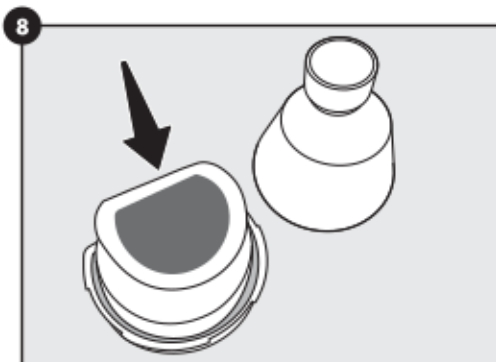


6. Nachdem Sie die Pumpe und der Schaumfilter sicher befestigt haben, führen Sie das Netzkabel durch das senkrechte Rohr in der Mitte sowie die Einkerbung am Boden der Schüssel.

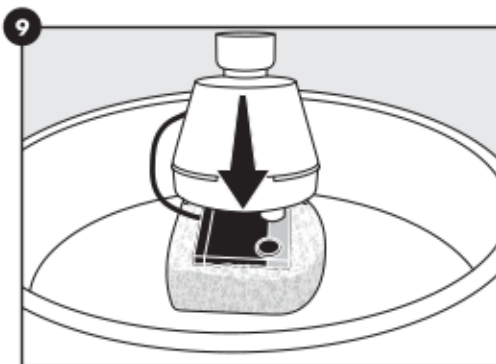
7. Ziehen Sie das Netzkabel straff, und drücken Sie die Gummidichtung fest in das senkrechte Rohr. [Siehe Abbildung 6]



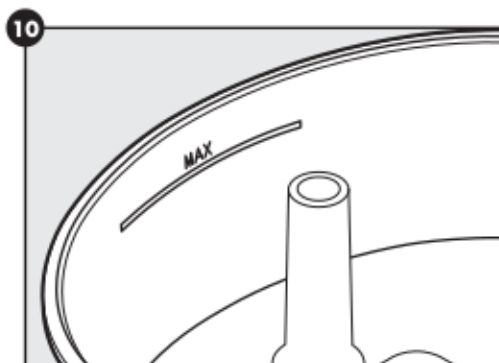
8. Spülen Sie den Aktivkohlefilter gründlich mit kaltem Wasser ab, um jeglichen losen Kohlestaub zu entfernen. Öffnen Sie das Filtergehäuse, und spülen Sie beide Teile mit Wasser ab. Setzen Sie den Filter so in das Filtergehäuse ein, dass die größere Seite nach vorne zeigt. Legen Sie die Abdeckung des Filtergehäuses auf, und drücken Sie sie an, bis sie hörbar einrastet.



9. Setzen Sie das Filtergehäuse in die Öffnung oben auf der Pumpe ein.

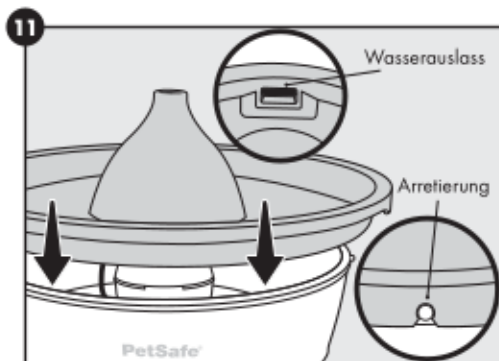


10. Füllen Sie die Schüssel bis zur Füllstandsanzeige „MAX“ mit Wasser.



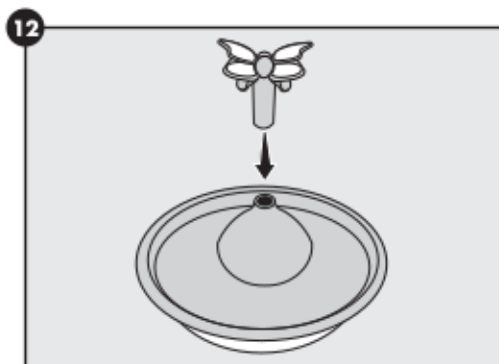
11. Bringen Sie die obere Schale auf der Schüssel an, indem Sie sie über dem Filtergehäuse ausrichten. Drücken Sie die Schale auf beiden Seiten nach unten, sodass die Arretierungen einrasten.

Hinweis: Der Wasserauslass der Schale sollte zur Rückseite der Schüssel zeigen. Die Vorderseite der Schüssel ist dort, wo sich das PetSafe®-Logo befindet.

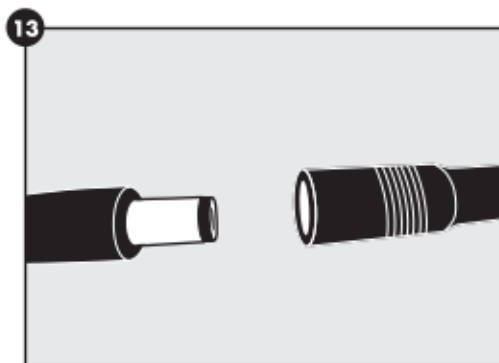


12. Setzen Sie den Schmetterlingsaufsatz in die Öffnung auf der Oberseite des Turms. Der Aufsatz teilt den Wasserfluss in vier Ströme. Der Kopf des Schmetterlings sollte zur Rückseite der Schüssel zeigen.

Hinweis: Sie können den Schmetterlingsaufsatz auch weglassen. Ohne den Aufsatz erhalten Sie einen leiseren Wasserfluss.



13. Greifen Sie den Trinkbrunnen an der Schüssel, und platzieren Sie ihn an die gewünschte Stelle. Achten Sie unbedingt darauf, dass das Netzkabel, der Netzadapter und Ihre Hände vollkommen trocken sind. Schließen Sie den Inline-Stecker so an, dass kein Silber zu sehen ist. Schließen Sie den Netzadapter an eine herkömmliche Netzsteckdose an.



Reinigung des Trinkbrunnens

HINWEIS: Ersetzen Sie den Aktivkohlefilter alle zwei bis vier Wochen und den Schaumfilter alle ein bis zwei Monate.

1. Ziehen Sie den Stecker des Trinkbrunnens sowie den Inline-Stecker heraus.
2. Heben Sie den Trinkbrunnen an der Schüssel an, und stellen Sie ihn in ein Spülbecken.
3. Schütten Sie das Wasser in den Abfluss, und zerlegen Sie den Trinkbrunnen anschließend.
4. Entsorgen Sie den Aktivkohlefilter und den Schaumfilter. Befolgen Sie zum Reinigen der Pumpe auf Seite 47 die Schritte 1–3. Entfernen Sie Kalkablagerungen mit einer Lösung aus 80 % Wasser und 20 % klarem Essig.
5. Waschen Sie alle anderen Teile mit warmem Wasser und Seife ab, oder platzieren Sie sie im obersten Fach der Geschirrspülmaschine.

HINWEIS: Der Adapter und die Pumpe dürfen nicht in der Spülmaschine gewaschen werden.

Ersatzteile und Zubehör

Ersatzteile, Filter und Reinigungssets für den Trinkbrunnen sind über die Website www.petsafe.com oder unsere Kundenbetreuung erhältlich. Eine Liste der Telefonnummern der Kundenbetreuung finden Sie auf unserer Website www.petsafe.com.

Nutzungsbedingungen und Haftungsbeschränkung

1. Nutzungsbedingungen

Die Verwendung des Produkts unterliegt den damit verbundenen Nutzungsbedingungen und Haftungsbeschränkungen des Herstellers. Voraussetzung für die Verwendung des Produkts ist die Akzeptanz aller Nutzungsbedingungen und Haftungsbeschränkungen. Wenn Sie die Nutzungsbedingungen und Haftungsbeschränkungen nicht akzeptieren, geben Sie das Produkt bitte unbenutzt in der Originalverpackung und auf Ihre Kosten und Ihr Risiko zusammen mit dem Kaufnachweis für eine vollständige Kostenrückerstattung an die entsprechende Kundenbetreuung zurück.

2. Ordnungsgemäße Verwendung

Die ordnungsgemäße Verwendung beinhaltet unter anderem das Lesen der gesamten Gebrauchsanleitung und aller speziellen Sicherheitshinweise. Möglicherweise ist Ihr Haustier aufgrund seines jeweiligen Temperaments, seiner Größe oder seines Gewichts nicht für dieses Produkt geeignet. Wenn Sie nicht sicher sind, ob das Produkt für Ihr Haustier geeignet ist, konsultieren Sie bitte vor Gebrauch Ihren Tierarzt oder qualifizierten Trainer. Bei aggressiven Haustieren rät Radio Systems Corporation von der Verwendung des Produkts zu Erziehungsmaßnahmen ab. Wir übernehmen keine Haftung für die Feststellung der Eignung im jeweiligen Fall.

3. Keine gesetzeswidrige oder verbotene Verwendung

Dieses Produkt ist nur für den Gebrauch mit Haustieren vorgesehen. Dieses Produkt dient nicht dazu, Schäden zuzufügen, zu verletzen oder zu provozieren. Eine Verwendung dieses Produkts auf eine nicht vorgesehene Art und Weise kann zur Verletzung von bundesstaatlichen, staatlichen oder lokalen Gesetzen führen.

4. Haftungsbeschränkung

Radio Systems Corporation und alle damit verbundenen Unternehmen sind unter keinen Umständen haftbar zu machen für (i) jegliche direkte oder indirekte Schäden, Schadensersatzverpflichtungen, zufällige Schäden, besondere Schäden oder Folgeschäden und/oder (ii) jegliche Verluste oder Schäden, die aus dem Gebrauch oder Missbrauch dieses Produkts entstehen oder damit verbunden sind. Der Käufer übernimmt soweit gesetzlich zulässig alle aus der Verwendung des Produkts resultierenden Risiken und Haftungsverpflichtungen.

5. Änderungen der Nutzungsbedingungen

Radio Systems Corporation behält sich das Recht vor, die Nutzungsbedingungen und Haftungsbeschränkungen des Produkts zu ändern. Wenn Sie über solche Änderungen vor der Verwendung dieses Produkts informiert wurden, sind diese für Sie bindend, als wären sie hierin eingeschlossen.

Konformität

CE

Die Radio Systems Corporation erklärt unter eigener Verantwortung, dass das folgende Produkt/die folgenden Produkte den wesentlichen Anforderungen der EMC-Richtlinie 2014/30/EU und der RoHS 2-Richtlinie 2015/863/EU entspricht bzw. entsprechen. Nicht von der Radio Systems Corporation genehmigte Änderungen oder Modifikationen der Ausrüstung können zur Verletzung der EMC-Richtlinien der EU sowie zum Erlöschen der Betriebserlaubnis und der Garantie der Ausrüstung führen. Hiermit erklärt die Radio Systems Corporation, dass dieses Teil den wesentlichen Anforderungen und anderen relevanten Bestimmungen entspricht. Die Konformitätserklärung ist einsehbar unter: www.petsafe.com/customer-care/eu_docs.php.



Wichtige Recyclinghinweise

Halten Sie sich bitte an die in Ihrem Land geltenden Vorschriften zur Entsorgung elektronischer und elektrischer Geräte. Dieses Gerät muss recycelt werden. Es darf am Ende der Produktlebensdauer nicht im Haushaltsmüll entsorgt werden. Prüfen Sie bitte die lokalen Vorschriften, oder geben Sie es dahin zurück, wo Sie es gekauft haben, damit es unserem Recyclingsystem zugeführt werden kann. Falls keine dieser Optionen möglich ist, kontaktieren Sie bitte die Kundenbetreuung bezüglich weiterer Informationen.

Garantie

Zwei Jahre nicht übertragbare eingeschränkte Garantie

Dieses Produkt unterliegt einer eingeschränkten Herstellergarantie. Alle Einzelheiten zu der für dieses Produkt geltenden Garantie und ihren Bestimmungen erhalten Sie unter www.petsafe.com und/oder bei Ihrer Kundenbetreuung vor Ort.

Radio Systems PetSafe Europe Ltd.
2nd Floor, Elgee Building, Market Square
Dundalk, Co. Louth, A91 YR9X Ireland

PetSafe® products are designed to enhance the relationship between you and your pet. Please visit www.petsafe.com to learn more about our extensive product range.

- Containment & Avoidance Systems
- Training Systems
- Bark Control
- Pet Doors
- Health & Wellness
- Waste Management
- Play & Challenge
- Travel, Access & Mobility

Les produits PetSafe® sont conçus dans le but d'améliorer votre relation avec votre animal. Visitez le site www.petsafe.com pour en savoir plus sur notre vaste gamme de produits.

- Systèmes de prévention et anti-fugue
- Systèmes de dressage
- Contrôle des aboiements
- Porte pour animaux
- Santé et bien-être
- Gestion des déjections
- Jeu et épreuve
- Déplacement, accès et mobilité

PetSafe®-producten zijn ontworpen om de relatie tussen u en uw huisdier te verbeteren. Ga naar www.petsafe.com voor meer informatie over ons uitgebreide productassortiment.

- Systemen voor insluiting en vermijding
- Trainingssystemen
- Blafbeheersing
- Huisdierluiken
- Gezondheid & welzijn
- Afvalbeheersing
- Spel & uitdaging
- Vervoer, toegang & mobiliteit

Los productos PetSafe® están diseñados para mejorar la relación entre usted y su mascota. Para saber más acerca de nuestra amplia gama de productos, visite www.petsafe.com.

- Sistemas de contención y evasión
- Sistemas de adiestramiento
- Control de ladridos
- Puertas para mascotas
- Salud y bienestar
- Gestión de residuos
- Juego y reto
- Viajes, acceso y movilidad

I prodotti PetSafe® sono progettati per migliorare la qualità della relazione tra voi e il vostro animale domestico. Per saperne di più sull'estesa gamma dei nostri prodotti, si prega di visitare il nostro sito web: www.petsafe.com.

- Sistemi antifuga e di evitamento
- Soluzioni per l'addestramento
- Controllo dell'abbaio
- Porte per animali domestici
- Salute e benessere
- Gestione dei rifiuti
- Gioco e prova
- Viaggio, accesso e mobilità

PetSafe® Produkte sind darauf ausgelegt, die Beziehung zwischen Ihnen und Ihrem Haustier zu verbessern. Um mehr über unsere breite Produktpalette zu erfahren, besuchen Sie bitte www.petsafe.com.

- Kontroll- und Unterbindungssysteme
- Trainingssysteme
- Bellkontrolle
- Haustiertüren
- Gesundheit & Wohlbefinden
- Haustier Toiletten
- Sport und Spiel
- Reise, Zugang und Mobilität

Radio Systems Corporation
10427 PetSafe Way
Knoxville, TN 37932
+1 (865) 777-5404

Radio Systems PetSafe Europe Ltd.
2nd Floor, Elgee Building, Market Square
Dundalk, Co. Louth, A91 YR9X Ireland
+353 (0) 76 892 0427

Radio Systems Australia Pty Ltd.
Suite 11001 Australia Fair Office Towers
36 Marine Parade
Southport, QLD 4215, Australia
+61 (0) 7 5556 3800

petsafe.com

RE400-2433-19

©2019 Radio Systems Corporation